



# Hydronic Heating and Plumbing Products





## Intelligent, efficient and complete system solutions from the most trusted name in the industry-Bell & Gossett

Bell & Gossett leads the industry with a complete system offering that delivers uncompromising quality and dependability. Efficient B&G products are at the heart of smart system solutions that provide customers with reliable, energy saving solutions backed by over 100 years of experience and innovation.

ESP-Systemwise™ is the industry's only comprehensive system selection tool providing you the ability to choose all system components from a single integrated tool, saving you time and ensuring the most efficient hydronic system design. You get fast, precise equipment selection, pump performance curves, job specific submittals and other technical data.

Bell & Gossett representatives are the industry's most experienced HVAC professionals with a wealth of technical expertise and practical know how. In addition to expert system and product application assistance they also maintain a wide product inventory warehoused locally for immediate delivery of your ordered equipment and parts anywhere in the country.



# The Most Complete Line of Hydronic Heating and Plumbing Products.

All from a Single Source - Bell & Gossett.



## Table of Contents

## Page Number

### Pumps

ecocirc 19-16 Heating/Cooling/Potable Water Circulators .....	4-5
ecocirc XL Series Heating/Cooling Circulators .....	6-8
ecocirc e <sup>3</sup> Series Potable Water Pumps .....	9
ecocirc wireless Potable Water Kit .....	10
autocirc Series Potable Water Pumps .....	11
LS Condensate Removal Pump .....	12
ecocirc SC Solar Pump .....	13
NRF (Cast Iron, Maintenance-Free Wet Rotor) .....	14-15
NBF (Bronze, Maintenance-Free Wet Rotor) .....	16-17
SSF (Stainless Steel, Maintenance-Free Wet Rotor) .....	16-17
Series LR™ (Compact Maintenance-Free) .....	17
Series PL™ (Maintenance-Free Dry Motor) .....	18
Three Piece - Oil Lubricated Series 100, HV, PR, 2", 2-1/2" LD-3, HD-3, PD-35, PD-37, PD-38, PD-40 .....	19
Series 60 (In-Line Mounted) .....	20-21

### Pump Accessories

Check-Trol™ Isolation Flow Control Flange .....	22
Isolation and Companion Flanges .....	23

### Controls

ecocirc Series Timer .....	24
NBF Aquastats and Timer .....	24

### Relays

AZ-1A Snap-On Pump Control .....	25
ZONETROL™II Switching Relays .....	26

### Valves

Comfort-Trol™ Zone Control Valve .....	26
Temp Setter™ Thermostatic Valves .....	27
Circuit Setter® Plus .....	28
Circuit Sentry™ Flo-Setter™ II .....	29
Flow Control Valves Flo-Control™ .....	30
Flow Control Valves Hydrotrol™ .....	31
Differential Bypass Valves .....	31
Pressure Reducing Valves .....	32
ASME Safety Relief Valves .....	32
Monoflo® Fittings .....	33

### Air Separators

IAS (Inline Air Separators) .....	33
EAS (Enhanced Air Separator) .....	34
EASB-JR (Enhanced Air Separator) .....	34

### Hydronic Specialties

Air Vents .....	35
Vacuum Breaker .....	35
Drain-O-Tank® Air Charger .....	35
Thermoflo® Balancer .....	35
Primary/Secondary Header .....	36

### Tanks

HFT Pre-Charged Hydronic Heating Tanks .....	37
Plain Steel Compression Tanks .....	37
ATF (Airtrol® Tank Fittings) .....	37
PT Diaphragm Tanks .....	38
WT Tanks .....	38
Tank Purge Valves .....	39

### Heat Exchangers

Brazed Plate Heat Exchangers .....	40-41
------------------------------------	-------

### Wastewater Pumps

Submersible Sump Pumps - SC, SS, GSP0311, BBSP, 2WT .....	42-43
---	-------

# CIRCULATORS ecocirc® 19-16

## Description

ecocirc® 19-16 is a TRUE Variable Speed ECM Circulator with energy efficient spherical motor technology. Higher Efficiency and Improved Performance The ecocirc® 19-16 is a Smart, User-friendly, TRUELY variable speed circulator which is ideally suited for use in heating, cooling and potable water application. Designed to be set once and forgotten. The onboard intelligence automatically adjusts speed to ensure maximized efficiency and accurate performance to suit a wide range of performance requirements.

The ecocirc is setting new standards! ecocirc® 19-16 is a TRUE Variable Speed ECM Circulator with energy efficient spherical motor technology.

## Standard Modes of Operation

1. Proportional Pressure (factory default mode) Sensorless control mode that automatically adjusts differential pressure and flow according to the selected proportional pressure curve. This mode is recommended for use in systems with high pressure losses in the system. Identified by blue LED lit behind the adjustment dial.
2. Constant Pressure Sensorless control mode that automatically maintains a constant differential pressure by varying the flow according to the selected pressure curve. This mode of operation is preferred in systems with relatively small pressure losses in distribution systems. Identified by green LED lit on the adjustment dial.
3. Constant Speed The pump maintains a fixed speed at any flow demand, based on the curve that is set on the adjustment dial. identified by the white light lit on the speed adjustable dial.

## Auxiliary Modes

1. Automatic Air Purge Air trapped in the pump housing can be purged using this function.
2. Standby This helps to keep the power consumption low.

## Materials of Construction

Pump Body: Cast Iron and Stainless Steel  
 O-Ring: EPDM  
 Bearing: Carbon/Alumina Ceramic  
 Impeller: Nylon/PPO  
 Motor: High Efficiency ECM/PM  
 All Other Wetted Parts: Stainless Steel

## Operating Data

Maximum Working Pressure: 150 PSI (10 Bar)  
 Maximum Working Temperature: 203°F (95°C)  
 Minimum Working Temperature: 14°F (-10°C)

## Motor

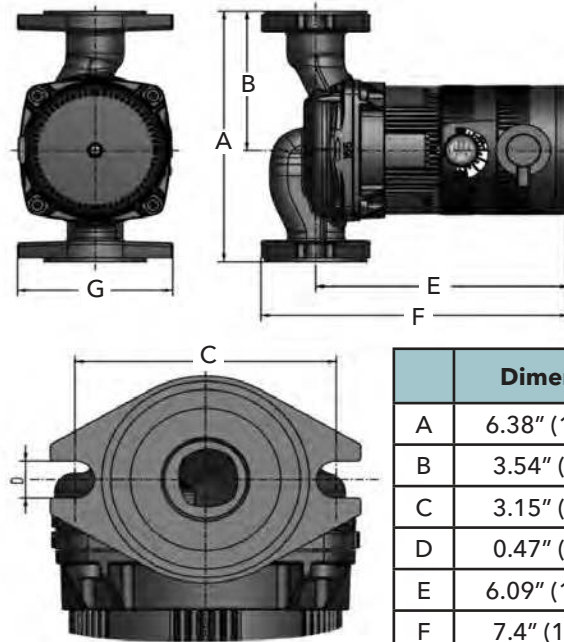
ECM spherical motor  
 115 Volt 60 Hz, 1 Phase  
 4-60 Watts Variable Power Consumption  
 Automatic Overload Protection  
 Low in-rush current

## Piping Connection

Flanged, 2-Bolt  
 For use with 3/4", 1, 1 1/4" or 1 1/2" inch pipe

## Check Valve

1" Noryl Check Valve  
 Shipped loose for field installation



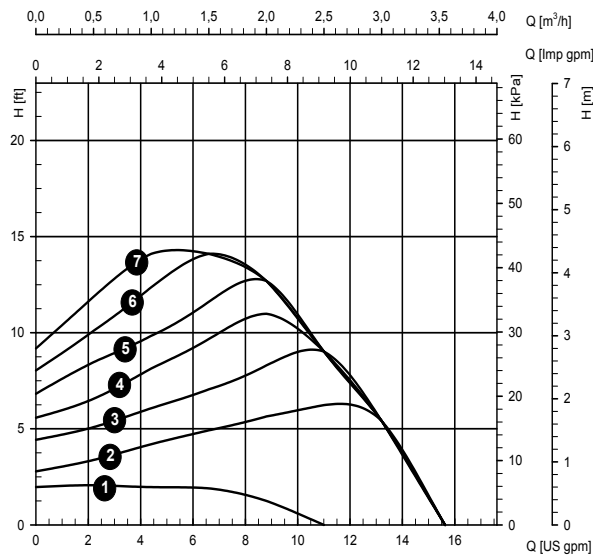
	Dimensions
A	6.38" (162mm)
B	3.54" (90mm)
C	3.15" (80mm)
D	0.47" (12mm)
E	6.09" (154mm)
F	7.4" (188mm)
G	3.74" (95mm)

Model Number	Part Number	Pump Body	Shipping Weight
ecocirc 19-16	6050B2003	Cast Iron	7.25 lb
ecocirc 19-16	6050B2004LF	Stainless Steel	7.00 lb

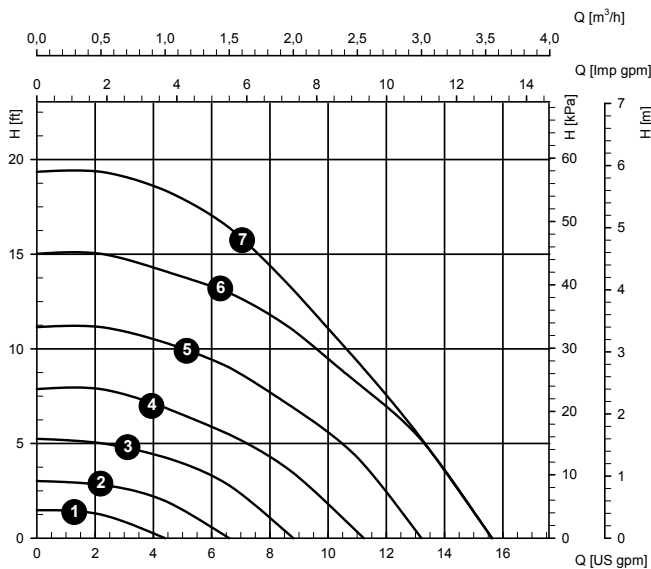
# CIRCULATORS ecocirc® 19-16



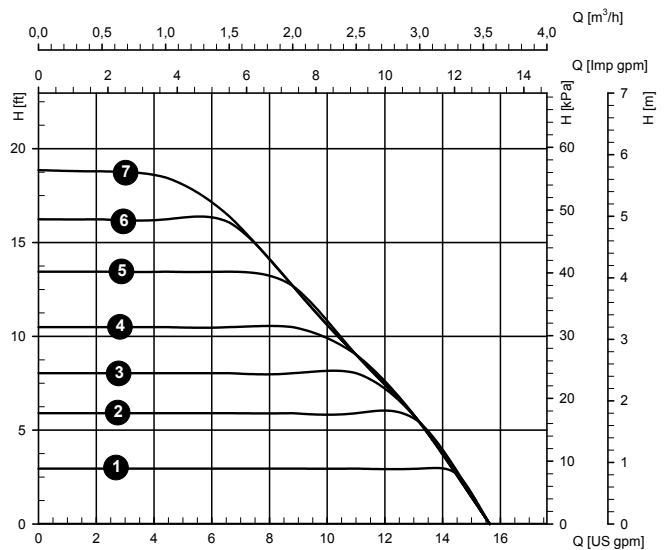
## Proportional Pressure (default mode)



## Constant Speed



## Constant Pressure



# CIRCULATORS ecocirc® XL

High efficiency large wet rotor pump for heating, cooling and potable water systems. Available in single and three phase power options.

## Description

The ecocirc XL is a high efficiency, variable speed, wet rotor pump with integrated drive. The circulator is available in cast iron or stainless steel and has a broad operating temperature range of 14°F to 230°F (-10°C to 110°C). The ecocirc XL is suitable for both hot and chilled water systems.

The ecocirc XL circulator is designed with a highly efficient electronically commutated permanent magnet motor (ECM/PM Technology). This circulator can enhance hydronics systems with superior quality and dependability. State-of-the-art hydraulics, advanced motor design, intelligent controls, and smart communication capabilities highlight expert engineering across a board range of HVAC and plumbing applications.

## Materials of Construction

- Pump Body: Cast Iron or Stainless Steel
- Impeller: Poly-phenylene Sulfide or Stainless Steel
- Shaft: AISI 420 Stainless Steel
- Rotor: Permanent Magnet
- Bearing: Carbon Sleeve
- Gasket/O-Ring: EPDM
- All Other Wetted Parts: AISI 304 Stainless Steel
- Motor Type: Electronically Commutated Motor /Permanent Magnet
- Motor Insulation Class: F

## Operating Data

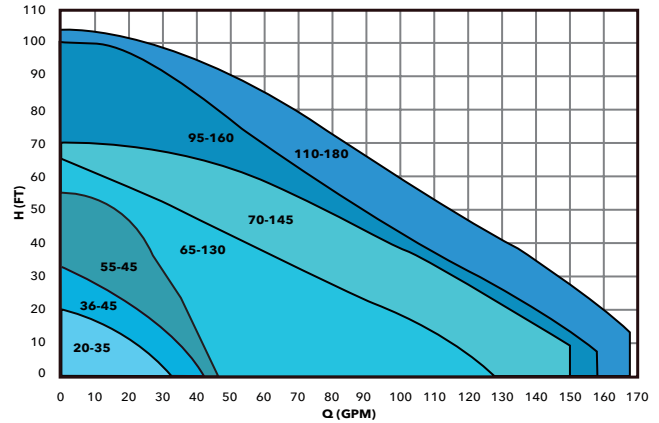
- Maximum Working Pressure: 175 PSI (12 Bar)
- Minimum Working Temperature: 14°F (-10°C)
- Maximum Working Temperature: 230°F (110°C)
- Ambient Temperature Range: 32°F - 104°F (0°C - 40°C)

## Safety Standards And Protection

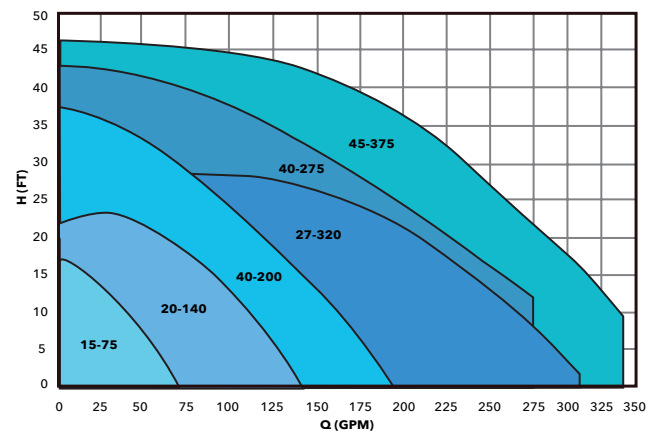
- Enclosure: Class 2, IP44 (equivalent to NEMA Type 2)
- UL Listed to UL 778; UL 1004-1, 1004-7; and UL 60730-1
- cUL Listed to C22.2 #108
- Electronically Thermally Protected (Integrated Motor Protection)
- Motor Insulation Class: F
- CSA certified to NSF/ANSI 372 that product contains less than 0.25% lead content by weight on wetted surface



ecocirc XL High Head Performance Range



ecocirc XL High Flow Performance Range



Cast Iron Body		Stainless Steel Body*		Rated Motor Characteristics					
Model Number	Part Number	Model Number	Part Number	HP**	Voltage	Phase	Hz	Watts	AMP Range
ecocirc XL 20-35	104300	ecocirc XL N 20-35	104450LF	1/12	115	1	50/60	6-85	0.1 - 1.3
ecocirc XL 36-45	104301	ecocirc XL N 36-45	104451LF	1/6	115	1	50/60	20-200	0.1 - 3.0
ecocirc XL 36-45	104302	ecocirc XL N 36-45	104452LF	1/6	208-230	1	50/60	20-150	0.1 - 1.5
ecocirc XL 15-75	104303	ecocirc XL N 15-75	104453LF	1/6	115	1	50/60	30-150	0.1 - 2.3
ecocirc XL 15-75	104304	ecocirc XL N 15-75	104454LF	1/6	208-230	1	50/60	30-150	0.1 - 1.1
ecocirc XL 55-45	104306	ecocirc XL N 55-45	104456LF	1/2	208-230	1	50/60	30-500	0.2 - 2.0
ecocirc XL 20-140	104308	ecocirc XL N 20-140	104458LF	1/2	208-230	1	50/60	35-470	0.2 - 2.0
ecocirc XL 65-130	104309	ecocirc XL N 65-130	104459LF	1	208-230	1	50/60	45-825	0.5 - 3.5
ecocirc XL 40-200	104312	ecocirc XL N 40-200	104462LF	1	208-230	1	50/60	45-825	0.5 - 3.5
ecocirc XL 70-145	104315	ecocirc XL N 70-145	104465LF	2	208-230	1	50/60	55-1400	0.6 - 6.0
ecocirc XL 40-275	104318	ecocirc XL N 40-275	104468LF	2	208-230	1	50/60	50-1400	0.5 - 6.0
ecocirc XL 65-130	104310	ecocirc XL N 65-130	104460LF	1	208-230/400-460	3	50/60	50-800	0.5 - 2.8/2.0
ecocirc XL 40-200	104313	ecocirc XL N 40-200	104463LF	1	208-230/400-460	3	50/60	50-800	0.5 - 2.8/2.0
ecocirc XL 95-160	104321	ecocirc XL N 95-160	104471LF	2	208-230/400-460	3	50/60	50-1250	0.5 - 4.4/2.0
ecocirc XL 27-320	104323	ecocirc XL N 27-320	104473LF	2	208-230/400-460	3	50/60	50-1500	0.5 - 4.4/3.0
ecocirc XL 110-180	104326	ecocirc XL N 110-180	104476LF	3	400-460	3	50/60	50-2000	0.5 - 3.7
ecocirc XL 45-375	104328	ecocirc XL N 45-375	104478LF	3	400-460	3	50/60	50-2150	0.5 - 4.0

Note: Where potable water is pumped, use a stainless steel. ecocirc XL pumps are recommended for indoor use only.

\*CSA certified to NSF/ANSI 372 that product contains less than 0.25% lead content by weight on wetted surface.

\*\* Nominal HP

# CIRCULATORS ecocirc® XL

High efficiency large wet rotor pump for heating, cooling and potable water systems

### User-friendly interface

With only four logically placed buttons on an intuitive interface, it's easy to set and operate the new ecocirc XL. Advanced settings enable custom programming, accessible via a PC, smartphone or wireless enabled device.

### High visibility

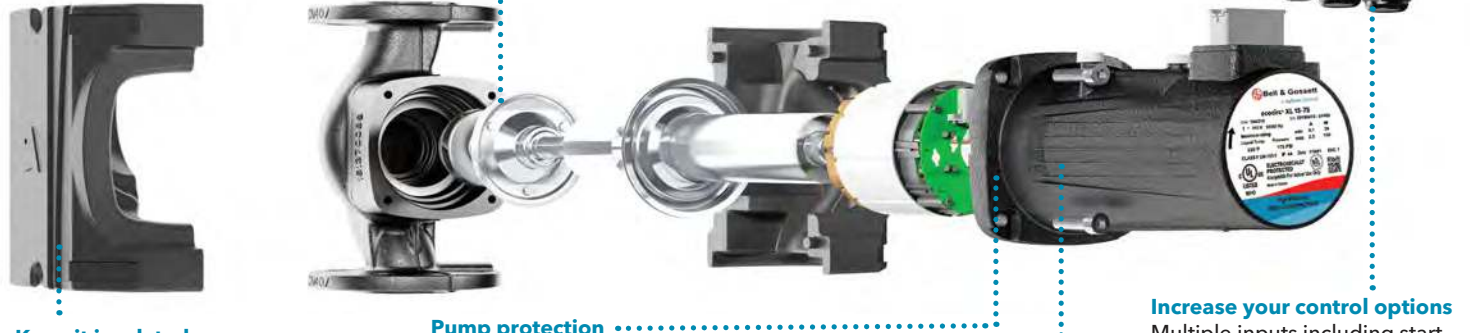
Even in dark mechanical rooms, a bright display with large figures and symbols makes it easy to view pump status.

### Economical operation

A highly efficient ECM motor combined with optimized pump hydraulics, keeps operational costs at a minimum.

### Chilled water applications

Electronics are separated from the pump to prevent condensation for worry free operation even at 14°F (-10°C).



### Keep it insulated

A perfectly molded insulation shell helps in preserving the constant temperature of the pumped heating medium.

### Pump protection

Built-in dry-run protection stops pump operation in the absence of water, preventing damage and costly repairs.

### Chilled water applications

Electronics are separated from the pump to prevent condensation for worry free operation even at 14°F (-10°C).

### Increase your control options

Multiple inputs including start-stop, temperature control, pressure regulation and advanced Modbus or BACnet control provide dynamic system management.

## Product Range Chart

Model Number	Version		Power Supply				Flange Connection				Pump Body		Fluid Temp. Range	Ambient Temp. Range	Maximum Pressure Range	Protection Class
	High Head	High Flow	Single Phase 115V	Single Phase 208-230V	3 Phase 208-230/400-460V	3 Phase 400-460V	Small Booster (2 Bolts)	Large Booster (2 Bolts)	2" Booster (4 Bolts)	3" Booster (4 Bolts)	Cast Iron	Stainless Steel	14°F - 230°F	32°F - 104°F	175 PSI	IP44
ecocirc XL 20-35	•		•				•				•	•	•	•	•	•
ecocirc XL 36-45	•		•	•			•				•	•	•	•	•	•
ecocirc XL 15-75		•	•	•					•		•	•	•	•	•	•
ecocirc XL 55-45	•		•	•			•				•	•	•	•	•	•
ecocirc XL 20-140		•	•	•					•		•	•	•	•	•	•
ecocirc XL 65-130	•		•	•	•		•				•	•	•	•	•	•
ecocirc XL 40-200		•	•	•	•				•		•	•	•	•	•	•
ecocirc XL 70-145	•		•	•			•				•	•	•	•	•	•
ecocirc XL 40-275		•	•	•					•		•	•	•	•	•	•
ecocirc XL 95-160	•		•	•	•		•				•	•	•	•	•	•
ecocirc XL 27-320		•	•	•	•				•		•	•	•	•	•	•
ecocirc XL 110-180	•		•	•		•		•			•	•	•	•	•	•
ecocirc XL 45-375		•	•	•		•			•		•	•	•	•	•	•

\*CSA certified to NSF/ANSI 372 that product contains less than 0.25% lead content by weight on wetted surface.

- Small Booster (2 bolts) has a bolt hole to bolt hole dimension of 3-3/16".
- Large Booster (2 bolts) has a bolt hole to bolt hole dimension of 3-7/16".



## Input Signals

- One 0-10V (Analog): Speed Control by external controller
- One 4-20mA (Analog): Connection with an external differential pressure sensor for the pressure control mode (two different pressure sensor range: 0-15 PSI PN: 104503 and 0-30 PSI PN: 104504)
- One external temperature sensor input for either Constant Temperature or Temperature Influenced modes. Sensor PN: 104502
- One built-in temperature sensor for either Constant Temperature or Temperature Influenced modes.

## Remote Building Management System Capabilities


- The pump can be monitored or controlled by a signal from a BMS (Building Management System). Built-in protocols are BACnet BLT and Modbus. Direct connection to a PC is available.
- An optional wireless module can be added to create a short range wireless field for remote connection to the pump. An internet browser or an App can be used to program the advanced settings. Module PN: 104500

# CIRCULATORS ecocirc® XL


High efficiency large wet rotor pump for heating, cooling and potable water systems

## STANDARD OPERATING MODES


### Constant Speed

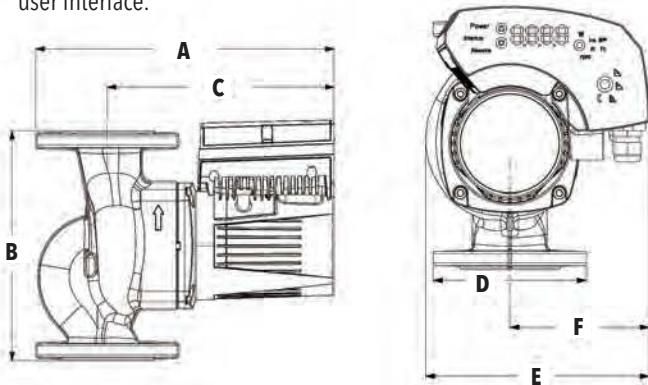
 The pump maintains a constant speed at any flow rate. The desired speed is set on the interface panel of the pump.

### Constant Pressure (Δp-c)


 The pump maintains a constant differential pressure at any flow demand until the maximum speed is reached. The desired head of the pump can be set via user interface.

### Proportional Pressure (Δp-v)

 The differential pressure continuously increases or decreases based on the flow demand. The set point head can be set on the pump user interface.



### Night Mode

 The pump will automatically reduce speed when there is an abrupt change in fluid temperature. The change in fluid temperature is from a boiler operating in night time setback mode. The built-in temperature sensor is used.

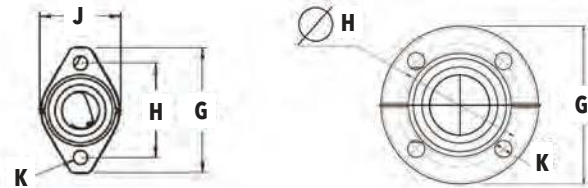
## CONSTANT TEMPERATURE SPEED CONTROL

### T- Constant Control

This control mode will use a PI algorithm to vary the speed of the pump in order to maintain a constant temperature of the fluid media.

### ΔT-Constant Control

This control mode will use a PI algorithm to vary the speed of the pump in order to maintain a constant differential temperature between the built-in temperature sensor and external temperature sensor.



Model Number	Nominal Motor HP	Dimensions - Inches (mm)						Approx. Shipping Weight Lbs. (kg)	
		A	B	C	D	E	F	Cast Iron	Bronze
ecocirc XL 20-35	1/12	9.94 (252)	6.38 (162)	8.20 (208)	4.19 (106)	7.20 (183)	4.72 (120)	19.8 (9)	22 (10)
ecocirc XL 36-45	1/6	9.94 (252)	6.38 (162)	8.20 (208)	4.19 (106)	7.20 (183)	4.72 (120)	19.8 (9)	22 (10)
ecocirc XL 15-75	1/6	11.04 (280)	8.5 (216)	8.39 (213)	5.19 (132)	7.57 (192)	4.72 (120)	26.4 (12)	28.6 (13)
ecocirc XL 55-45	1/2	11.89 (302)	6.38 (162)	10.18 (258)	4.19 (106)	8.12 (206)	5.02 (127)	26.4 (12)	28.6 (13)
ecocirc XL 20-140	1/2	13.39 (340)	11.5 (292)	10.41 (264)	5.19 (132)	8.20 (208)	5.02 (127)	35.2 (16)	39.6 (18)
ecocirc XL 65-130	1	14.84 (377)	11.5 (292)	11.80 (299)	4.62 (117)	9.53 (242)	5.77 (146)	39.6 (18)	44 (20)
ecocirc XL 40-200	1	15.17 (385)	11.5 (292)	11.80 (299)	5.19 (132)	9.53 (242)	5.77 (146)	41.8 (19)	46.2 (21)
ecocirc XL 70-145	2	14.84 (377)	11.5 (292)	11.80 (299)	4.62 (117)	9.53 (242)	5.77 (146)	38.4 (17)	44 (20)
ecocirc XL 40-275	2	16.04 (407)	12.0 (305)	12.57 (319)	6.00 (152)	10.07 (256)	5.77 (146)	49.6 (23)	55 (25)
ecocirc XL 65-130	1	14.96 (380)	11.5 (292)	11.85 (301)	2.87 (73)	10.43 (265)	5.31 (135)	39.6 (18)	44 (20)
ecocirc XL 40-200	1	15.23 (387)	11.5 (292)	11.85 (301)	5.19 (132)	10.43 (265)	5.31 (135)	35.2 (16)	39.6 (18)
ecocirc XL 95-160	2	14.44 (367)	11.5 (292)	11.37 (289)	2.87 (73)	10.43 (265)	5.31 (135)	39.6 (18)	44 (20)
ecocirc XL 27-320	2	15.27 (388)	14.17 (360)	11.81 (300)	6.00 (152)	10.43 (265)	5.31 (135)	49.6 (23)	55 (25)
ecocirc XL 110-180	3	14.44 (367)	11.5 (292)	11.37 (289)	2.87 (73)	10.43 (265)	5.31 (135)	38.4 (17)	44 (20)
ecocirc XL 45-375	3	16.14 (410)	14.17 (360)	12.67 (321)	6.00 (152)	10.43 (265)	5.31 (135)	49.6 (23)	55 (25)

Model Number	Flange Size Inches - NPT	# of Bolts	Dimensions - Inches (mm)				B&G Companion Flange (Set of 2)	
			G	H	J	K	Cast Iron PN	Bronze PN
ecocirc XL 20-35	3/4, 1, 1-1/4, 1-1/2	2	4.19 (106)	3.16 (80)	2.62 (66)	0.47 (12)	101201 - 101204*	101208LF - 101211LF*
ecocirc XL 36-45	3/4, 1, 1-1/4, 1-1/2	2	4.19 (106)	3.16 (80)	2.62 (66)	0.47 (12)	101201 - 101204*	101208LF - 101211LF*
ecocirc XL 15-75	2	4	5.18 (132)	4.06 (103)	-	0.56 (14)	101215	101216LF
ecocirc XL 55-45	3/4, 1, 1-1/4, 1-1/2	2	4.19 (106)	3.16 (80)	2.62 (66)	0.47 (12)	101201 - 101204*	101208LF - 101211LF*
ecocirc XL 20-140	2	4	5.19 (132)	4.06 (103)	-	0.56 (14)	101215	101216LF
ecocirc XL 65-130	1, 1-1/4, 1-1/2	2	4.62 (117)	3.44 (87)	2.86 (73)	0.47 (12)	101205 - 101207*	101212LF - 101214LF*
ecocirc XL 40-200	2	4	5.19 (132)	4.06 (103)	4.06 (103)	0.56 (14)	101215	101216LF
ecocirc XL 70-145	1, 1-1/4, 1-1/2	2	4.62 (117)	3.44 (87)	2.86 (73)	0.47 (12)	101205 - 101207*	101212LF - 101214LF*
ecocirc XL 40-275	3	4	6.00 (152)	5.06 (129)	-	0.53 (13)	101217	101218LF
ecocirc XL 65-130	1, 1-1/4, 1-1/2	2	4.62 (117)	3.44 (87)	2.86 (73)	0.47 (12)	101205 - 101207	101212LF - 101214LF
ecocirc XL 40-200	2	4	5.19 (132)	4.06 (103)	-	0.56 (14)	101215	101216LF
ecocirc XL 95-160	1, 1-1/4, 1-1/2	2	4.62 (117)	3.44 (87)	2.86 (73)	0.47 (12)	101205 - 101207	101212LF - 101214LF
ecocirc XL 27-320	3	4	6.00 (152)	5.06 (129)	-	0.53 (13)	101217	101218LF
ecocirc XL 110-180	1, 1-1/4, 1-1/2	2	4.62 (117)	3.44 (87)	2.86 (73)	0.47 (12)	101205 - 101207	101212LF - 101214LF
ecocirc XL 45-375	3	4	6.00 (152)	5.06 (129)	-	0.53 (13)	101217	101218LF

\* Part numbers represent a Master Carton of 12 flanges with fasteners pack. 1-1/2" is the diameter of the suction and discharge for the 2-bolt models.



# CIRCULATORS ecocirc® Series

## Potable Hot Water Recirculation Pumps - Whole House

### Description

e<sup>3</sup> circulators are energy efficient circulators using permanent magnet, ECM (electronically commutated motor) technology. The e<sup>3</sup> circulators are designed specifically for potable water applications. These circulators are lead-free\* and come with a variety of options including a temperature sensor, various body styles, assembled with electrical cord and plug. Timer sold as an accessory (See page 24 for more information).

### Materials of Construction

Pump Body: Lead-Free\* Brass  
 O-Ring: EPDM or Viton  
 Bearing: Carbon/Alumina Ceramic  
 Impeller: Nylon/PPO  
 Motor: High Efficiency ECM  
 All Other Wetted Parts: Type 316 Stainless Steel,  
 Shaft-less and seal-less construction

### Operating Data Pump

Maximum Working Pressure: 150 PSI (10.3 Bar)  
 Maximum Working Temperature: 203°F (95°C)  
 Minimum Working Temperature: 50°F (10°C)

### Motor

ECM Spherical Motor  
 10-28 Watts Power Consumption  
 Automatic Overload Protection  
 Low in-rush current

### Adjustable Speed Switch (Models Without Temp Sensor)

Infinitely variable-speed switch to manually adjust motor speed.

### Adjustable Temperature Sensor (Fixed Speed Only)

Adjustable Set Point from 68°F to 158°F (20°C to 70°C)  
 Turns circulator OFF when water temperature reaches set point  
 Turns circulator ON when water temperature is 10°F (6°C) below set point

### Connections

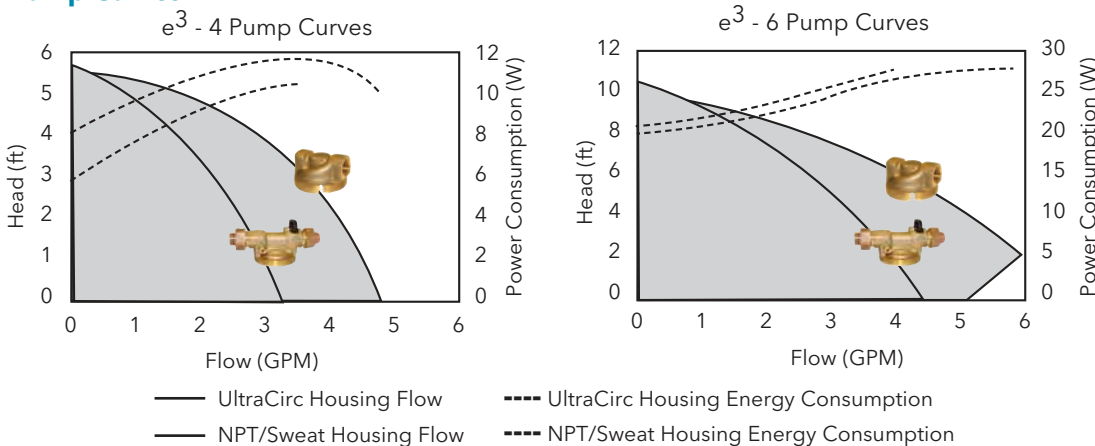
1/2" UltraCirc with Ball & Check Valve  
 1/2" Sweat  
 1/2" FNPT Threaded



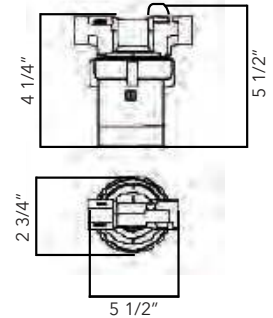
**e3 Timer**  
(See Page 24)

**e3 - 4, e3 - 6**

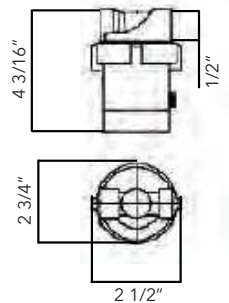
### Pump Curves



### UltraCirc Pump Housing (Union with Ball & Check Valve)



### Standard Pump Housing (Sweat & Threaded)



Model Number	Part Number	Materials	Connection		Adjustable Speed	Adjustable Thermostat	Plug
			Size	Type			
e3-4V/BSPYZ	LHB08100101	Lead-Free Brass	1/2"	Sweat	•		•
e3-4_/BSXRZ	LHB08100102	Lead-Free Brass	1/2"	Sweat		•	
e3-4V/BTXYZ	LHB08100104	Lead-Free Brass	1/2"	FNPT	•		
e3-4_/BTPRZ	LHB08100106	Lead-Free Brass	1/2"	FNPT		•	•
e3-6V/BSPYZ	LHB08100109	Lead-Free Brass	1/2"	Sweat	•		•
e3-6V/BTXYZ	LHB08100112	Lead-Free Brass	1/2"	FNPT	•		
e3-6V/BTPYZ	LHB08100110	Lead-Free Brass	1/2"	FNPT	•		•
e3-4V/BUPYZ	6050B5002	Lead-Free Brass	1/2"	Union	•		•
e3-4_/BUPRZ	6050B5003	Lead-Free Brass	1/2"	Union		•	•
e3-6V/BUPYZ	6050B5004	Lead-Free Brass	1/2"	Union	•		•
e3-6_/BSPRZ	6050B5006	Lead-Free Brass	1/2"	Union		•	•
e3-Timer	LHB08260002	-	-	-			

\*CSA certified to NSF/ANSI 372 that product contains less than 0.25% lead content by weight on wetted surface.

# CIRCULATORS ecocirc® wireless

## Potable Hot Water Recirculation Kit

### Description

The ecocirc wireless is a potable hot water recirculation kit (a pump and valve combination) for instant supply of hot water supply throughout the entire house.

The ecocirc pump is installed on the supply side of the hot water source and the mixing valve under the sink farthest away from the hot water source. The pump and valve are in constant wireless communication.

### How it Works

The desired water temperature at the valve is set directly on the pump with the thermostat dial. The water temperature is constantly checked by the valve and the temperature values are sent to the pump. At approximately 5°F below the desired water temperature, the pump will begin to circulate hot water. This circulation will open the valve for hot water to cross into the cold water line, which creates a return loop back to the hot water source. When the desired temperature is reached, the pump will stop circulating. This is to prevent continuous circulation.

### An Optional Push Button / Signal Repeater

A wireless device to provide instant hot water with a push of a button. The push button device will override the timer operation and activate the pump to circulate hot water until the desired temperature is met at the valve. This device also functions as a signal repeater when the pump and valve have a weak signal due to distance or interference.



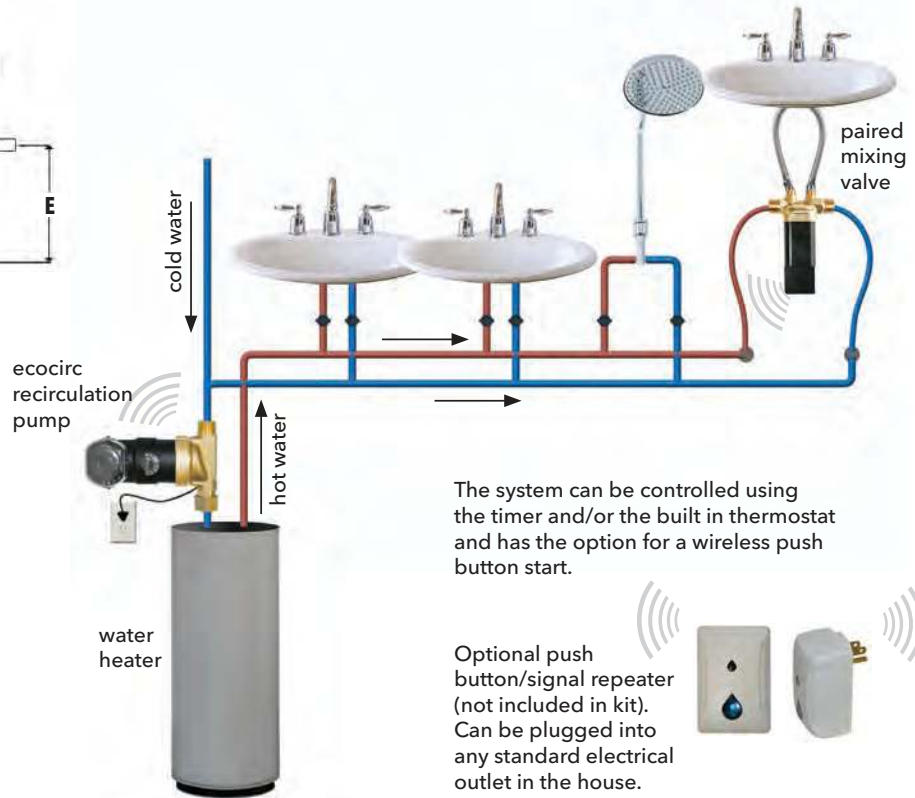
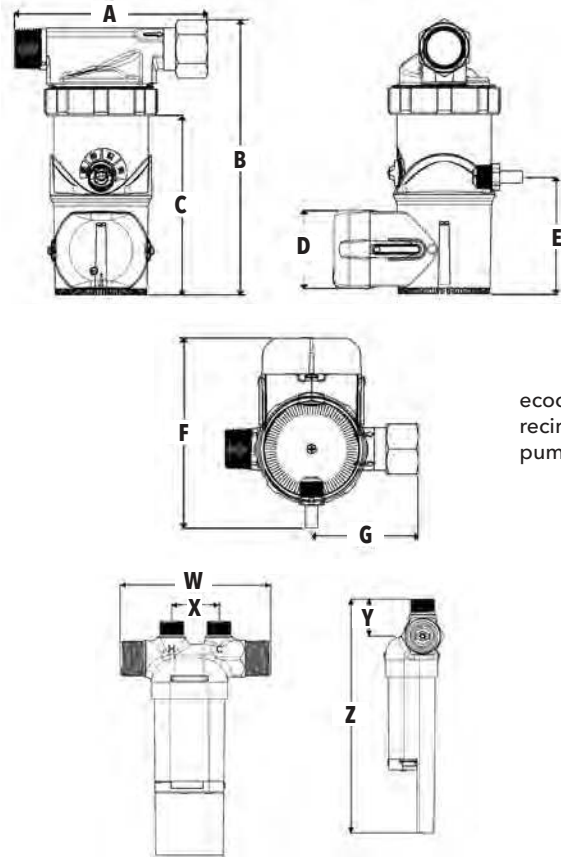
### Operating Data

Maximum Operating Temperature: 203°F (95°C)  
 Maximum Operating Pressure: 145 PSI (10 Bar)  
 Power Supply: 115 Volts, 60 HZ, 1 Phase  
 Power Consumption: 20 Watts  
 Operating Noise Level: 30 dB  
 Batteries: 2 AA Alkaline  
 Estimated Battery Life: 2 Years  
 Maximum Transmitter Range: 150 ft

### Materials of Construction

Circulator Pump	Paired Mixing Valve
Body: Lead-Free* Brass	Body: Lead-Free* Brass
Seals: EPDM	Springs: Stainless Steel
Impeller: Nylon/PPO	Valve Insert: Acetal Plastic
Internals: 316 Stainless Steel	Seals: EPDM
	Transmitter Housing: ABS Plastic

\*CSA certified to NSF/ANSI 372 that product contains less than 0.25% lead content by weight on wetted surface.



Model Number	Part Number	Connection	Dimension Inches (mm)											Shipping WT. LBS. (kg)
			A	B	C	D	E	F	G	W	X	Y	Z	
ecocirc wireless Recirculation Kit	6050B4000	Pump: 3/4" M/F NPT Valve: 1/2" MNPT x 3/8" compression	4.84 (123)	6.87 (174.6)	4.47 (113.5)	1.97 (50.1)	2.93 (74.4)	4.74 (120.5)	2.68 (68)	3.5 (89)	1.1 (28)	0.87 (22)	5.45 (138.5)	3.9 (1.8)
Push Button/Signal Repeater	6099B1500													

# CIRCULATORS autocirc® Series

## Potable Hot Water Recirculation Pumps - Undersink

### Description

autocirc® circulators are energy efficient using permanent magnet, ECM (electronically commutated motor) technology. The autocirc circulators are designed specifically for standard water heaters. These circulators are lead-free\* and are assembled with a timer, cord and plug.

### Materials of Construction

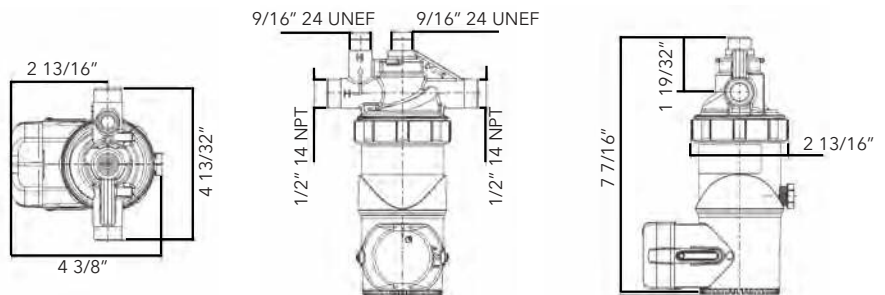
Pump Body: Lead-Free\* Brass  
 O-Ring: EPDM  
 Bearing: Carbon/Ceramic  
 Impeller: Nylon/PPO  
 Motor: High Efficiency ECM  
 All Other Wetted Parts: Type 316 Stainless Steel,  
 Shaft-less and Seal-less construction.

### Operating Data Pump

Maximum Working Pressure: 145 PSI (10 Bar)  
 Maximum Working Temperature: 203°F (95°C)  
 Minimum Working Temperature: 50°F (10°C)

### Motor

ECM Spherical Motor  
 115 Volt 60 Hz, 1 Phase  
 14 Watts Power Consumption  
 Automatic Overload Protection  
 Low in-rush current



Model Number	Part Number	Description	Weight
e <sup>3</sup> -4_-/BDPQC	LHB08100098	Lead-Free Brass autocirc 1/2" Fixed Thermostat with Timer	4 lbs.
e <sup>3</sup> -4_-/BDPRC	LHB08100099	Lead-Free Brass autocirc 1/2" Adjustable "ON" Thermostat with Timer	4 lbs.

\*CSA certified to NSF/ANSI 372 that product contains less than 0.25% lead content by weight on wetted surface.

# CIRCULATORS ecocirc® B 23-5 ACT

## Potable Hot Water Recirculation Pumps - Undersink

### Description

The ecocirc B 23-5 ACT lead-free\* pump was designed with highly efficient electronically commutated permanent magnet motor (ECM/PM technology) specifically for potable water systems. This unique design is perfect for retrofits and systems with tankless water heaters. No recirculation pipe is required.

### Materials of Construction

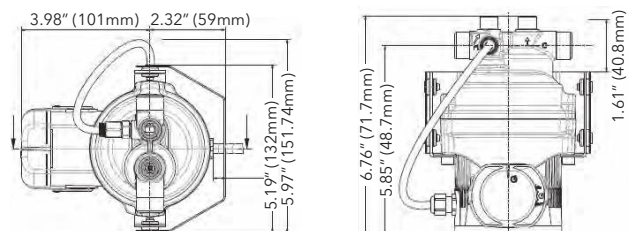
Pump Body: Lead-Free\* Brass  
 O-Ring: EPDM  
 Bearing: Carbon/Ceramic  
 Impeller: Nylon/PPO  
 Motor: High Efficiency ECM  
 All Other Wetted Parts: Type 316 Stainless Steel,  
 Shaft-less and Seal-less construction

### Motor

ECM Spherical Motor  
 115 Volt 60 Hz, 1 Phase  
 60 Watts Power Consumption  
 Automatic Overload Protection  
 Low in-rush current



ecocirc B 23-5 ACT



Model Number	Part Number	Description	Weight
ecocirc B 23-5 ACT	6050B7016	Lead-Free Brass autocirc 1/2" Fixed Thermostat with Timer	6.50 lbs.

\*CSA certified to NSF/ANSI 372 that product contains less than 0.25% lead content by weight on wetted surface.

# CIRCULATORS LS Condensate Removal Pump

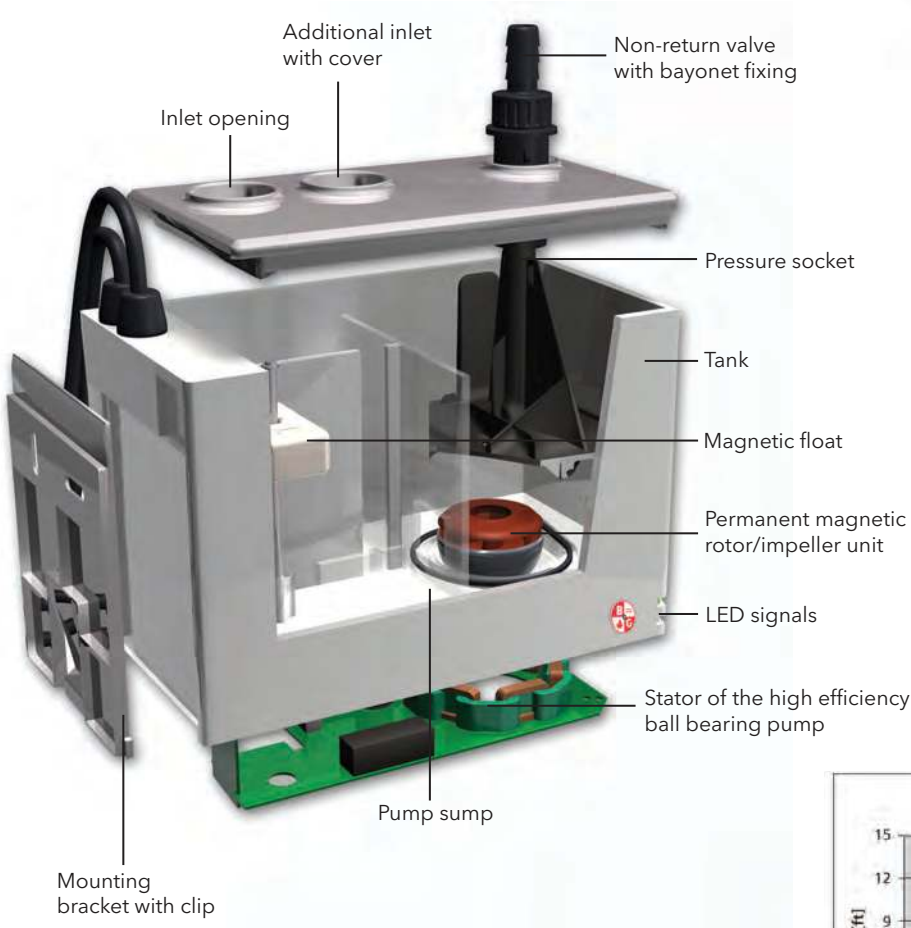
## For Condensing Boilers and Air Conditioning /Cooling Systems

### Description

The LS condensate removal pumps are energy efficient lifting stations that use permanent magnet, ECM (electronically commutated motor) technology. The LS condensate removal pumps are designed specifically for use in applications where the removal of condensate fluid is not possible by gravity.

### Materials of Construction

Pump Housing: ABS Material  
 O-Ring: EPDM or Viton  
 Bearing: Carbon/Alumina Ceramic  
 Impeller: Nylon/PPO  
 Motor: High Efficiency ECM  
 All Other Wetted Parts: Type 316 Stainless Steel,  
 Shaft-less and Seal-less Construction



### Standard Features

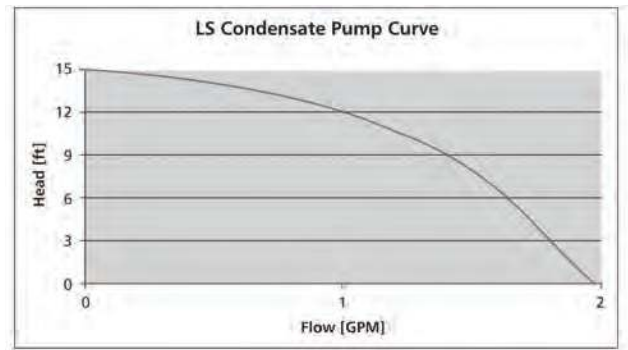
Motors are designed with a shaft-less spherical motor with permanent magnet technology for improved efficiency.

### Motor

ECM Spherical Motor  
 Phase: Single 60 Hz  
 Voltage: 100-140 volts  
 Power Consumption: 20 watts  
 Current draw: 0.1 - 0.2A  
 Automatic Overload Protection  
 Low in-rush current

### Acid Resistant

All LS condensate removal pumps are made from acid resistant ABS material



Model	Part Number	Housing Material	Motor	Weight
LS Condensate Pump	6098B0000	ABS	ECM	3.5 lbs

# CIRCULATORS ecocirc® SC Solar Pump

## Spherical Motor Pump

### Application

- The ecocirc solar pump can be used for most circulation pump applications without connection to the power grid with direct connection to a photovoltaic panel.
- This pump is perfect for single family home thermal solar systems or any circulation pump application where conventional power is not available, on closed loop systems

### Design

- The only moving part is a hemispherical rotor/impeller unit which sits on an ultra-hard, wear-resistant ceramic ball.
- There are no conventional shaft bearings or seals eliminating bearing noise and seal leaks.
- This pump is robust and has an estimated service life in excess of 50,000 hours.
- All parts exposed to the fluid are completely corrosion resistant.

### Soft Start-up

- When the photovoltaic panel provides sufficient power, the pump goes through the alignment phase by turning the rotor into the position required for start-up.
- The processor then waits until the capacitor is sufficiently charged.
- This enables a start-up with minimal power (less than one watt).

### Over-temperature Safety Device

- The ecocirc solar pump comes with an integrated over-temperature safety device which shuts off the pump electronics when reaching temperatures over 230°F.
- After reaching a critical temperature 203°F the pump will lower its speed automatically in order to avoid a total shutdown.

### Materials of Construction

Pump Body: Lead-Free\* Brass  
 O-Ring: EPDM  
 Bearing: Carbon/Alumina Ceramic  
 Impeller: PPO  
 Motor: High Efficiency ECM  
 All Other Wetted Parts: Type 316 Stainless Steel  
 Shaft-less, Seal-less Construction

### Technical Data

Motor Design: Electronically commutated spherical motor with permanent magnet rotor/impeller  
 Voltage: 12 - 24 Volt  
 Maximum System Temperature: 203°F (95°C)  
 Maximum Pressure: 150 PSI  
 Power Consumption\*: Min. start-up power consumption less than 1 Watt, max. power consumption 22 Watts  
 Current Draw: 0.25 - 1.46 A  
 Acceptable Media: Potable hot water recirculation, heating water, water/glycol mixtures, other media on request\*\*  
 Environment: IP 42  
 Insulation Class: Class F

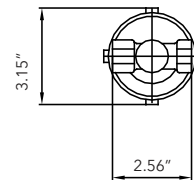
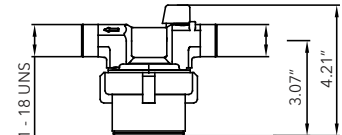
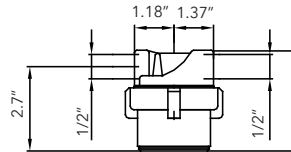
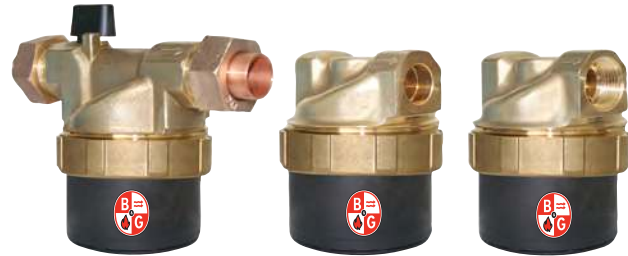
\* Power consumption and start may vary in different installations. \*\*Please check pump performance with more than 20% glycol.

### Available Models

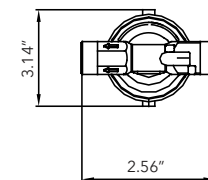
Model	Part Number	Description	Weight
e <sup>3</sup> -SC6S	6055B2000	Lead-Free Brass* Solar Circulator 1/2" Sweat	2 lbs.
e <sup>3</sup> -SC6N	6055B2001	Lead-Free Brass* Solar Circulator 1/2" NPT	2 lbs.
e <sup>3</sup> -SC4U	6055B2002	Lead-Free Brass* Solar Circulator 1/2" Union Sweat**	2 lbs.

\*CSA certified to NSF/ANSI 372 that product contains less than 0.25% lead content by weight on wetted surface.

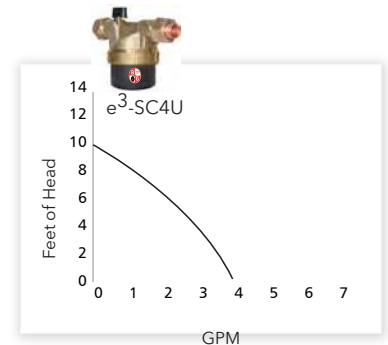
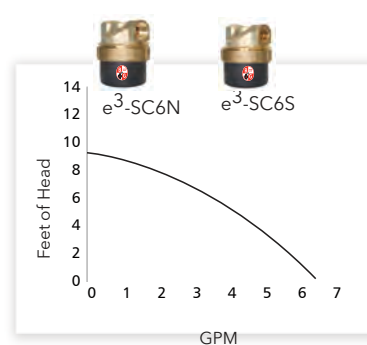
\*\* Built-in ball check valve and purge valve.



e<sup>3</sup>-SC6N and e<sup>3</sup>-SC6S



e<sup>3</sup>-SC4U



# CIRCULATORS Bell & Gossett Cast Iron Wet Rotor Circulators / NRF

## Description

A residential or light commercial, maintenance free, axial flanged, in-line, cast iron, wet rotor circulation pump for hydronic heating systems. UL and cUL Listed.

## Operating Data

Maximum Working Pressure: 150 PSI (10 bar)

Maximum Operating Temperature:

NRF-22 & NRF-9F/LW: 240°F (115°C)

NRF-25, NRF-33, NRF-36 & NRF-45: 225°F (107°C)

## Materials of Construction

Pump Body: Cast Iron

Impeller: Noryl

Shaft: Ceramic

Bearings: Double-Sintered Carbon

## Warranty

Bell & Gossett offers a warranty of 3 years from date of manufacture or 18 months from date of installation (which ever comes first) against failure as a result of defects in materials and workmanship.

## Specifications

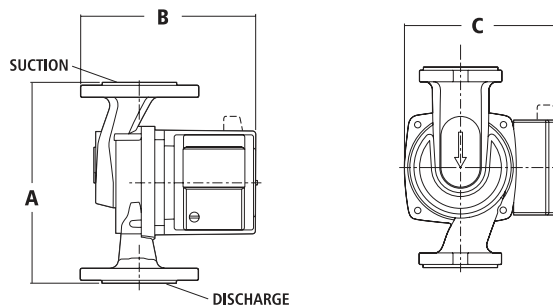
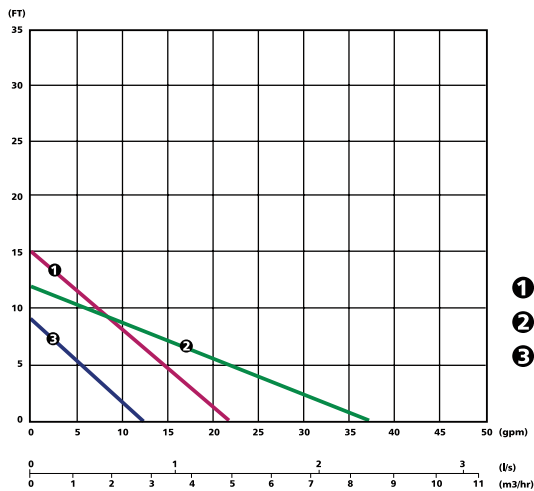
Model Number	Single Speed	Three Speed	Part Number	Flange Sizes Inches - NPT	Dimensions Inches (mm)			Standard 60 Cycle Motor Characteristics*					Shipping Weight lbs. (Kg)
					A	B	C	Watts	ø	Volts	F.L. Amps	RPM	
NRF-9F/LW	●		103267	3/4, 1, 1 1/4, 1 1/2	6 3/8 (162)	6 3/16 (157)	5 1/8 (130)	41	1	115	0.40	2800	9.3 (4.2)
NRF-22	●		103251		6 3/8 (162)	6 3/16 (157)	5 1/8 (130)	92			0.80	2940	9.3 (4.2)
NRF-25		●	103417		6 3/8 (162)	6 3/16 (157)	5 1/8 (130)	125			1.20	2950	10.4 (4.7)
NRF-33	●		103350		6 3/8 (162)	5 9/16 (141)	4 7/8 (124)	125			1.10	2950	10.4 (4.7)
NRF-36		●	103400		6 3/8 (162)	6 7/8 (175)	5 3/4 (146)	270			2.30	3300	13.1 (6.0)
NRF-45		●	103404	1, 1 1/4, 1 1/2	8 1/2 (216)	7 3/8 (187)	5 3/4 (146)	270			2.30	3300	14.5 (6.6)

NRF-9F/LW, NRF-22, NRF-25 and NRF-33 are impedance protected.

NRF-36 and NRF-45 are thermally protected.

Dimensions are approximate and subject to change. Contact factory for certified dimensions.

## Single Speed NRF Circulator Performance Curves



## Single Speed NRF Circulators



NRF-9F/LW



NRF-22

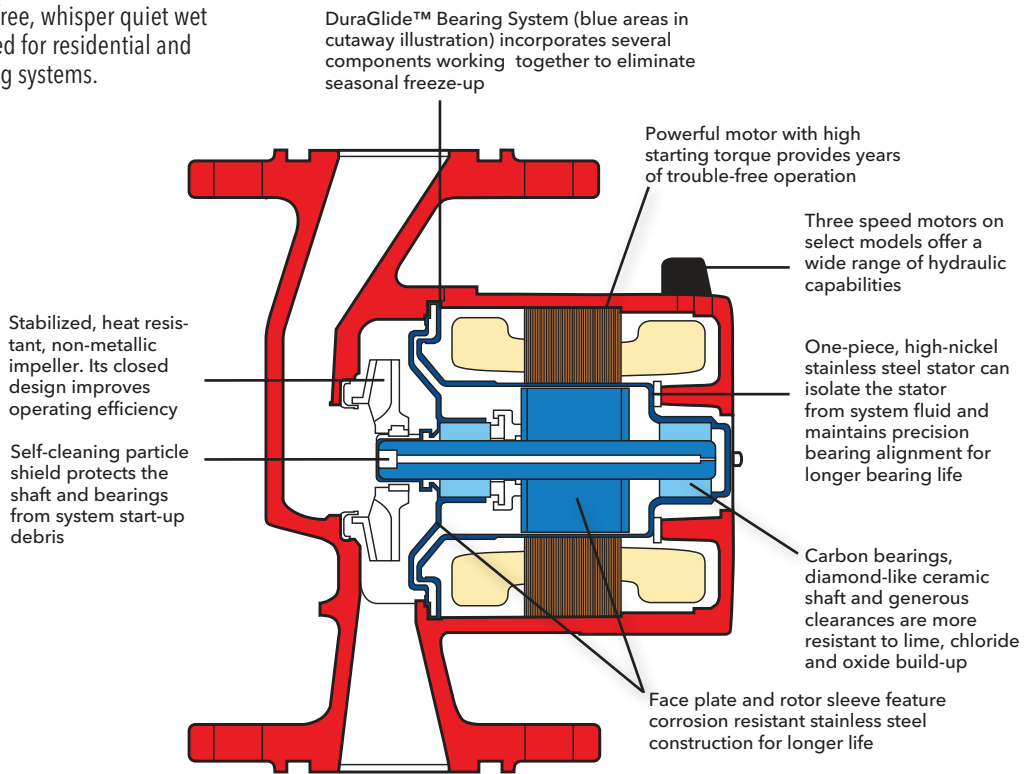


NRF-33

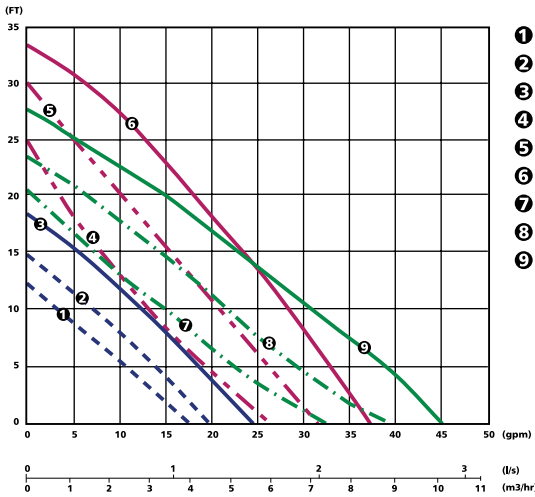


# CIRCULATORS Bell & Gossett Cast Iron Wet Rotor Circulators / NRF

Reliable, maintenance-free, whisper quiet wet rotor circulators designed for residential and light commercial heating systems.



## Three-Speed NRF Circulator Performance Curves



- ❶ NRF-25 Speed 1
- ❷ NRF-25 Speed 2
- ❸ NRF-25 Speed 3
- ❹ NRF-36 Speed 1
- ❺ NRF-36 Speed 2
- ❻ NRF-36 Speed 3
- ❼ NRF-45 Speed 1
- ❽ NRF-45 Speed 2
- ❾ NRF-45 Speed 3

## Optional Zone Pump Relay Control



The ZoneTrol II AZ-1A is a single zone pump relay that turns the pump and boiler on when the thermostat calls for heat. The AZ-1A is ideal when adding a zone to an existing system and can be daisy-chained together to control multiple zones (See page 25.)

## Three-Speed NRF Circulators



**NRF-25**



**NRF-36**



**NRF-45**

# CIRCULATORS Lead-Free Wet Rotor Circulators for Potable Water / NBF & SSF

## Description

A residential or light commercial, maintenance-free, in-line, lead-free\* bronze or stainless steel, wet rotor circulator for potable water systems and other applications. Flanged, union or sweat models available. UL and cUL listed.

## Operating Data

Maximum Working Pressure: 150 PSI (10 bar)

Maximum Operating Temperature:

NBF-25, NBF-33, NBF-36, NBF-45: 225°F (107°C)

All Others: 230°F (110°C)

## Materials of Construction

Pump Body NBF: 100% Lead-Free\* Bronze

SSF: Stainless Steel

Impeller: Noryl

Shaft: Ceramic

Bearings: Double-Sintered Carbon

## Warranty

Bell & Gossett offers a warranty of three years from date of manufacture or 18 months from date of installation (which ever comes first) against failure as a result of defects in materials and workmanship.

\*CSA certified to NSF/ANSI 372 that product contains less than 0.25% lead content by weight on wetted surface.



SSF-9



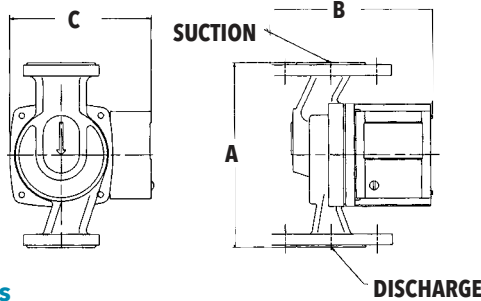
NBF-9

## Cross Reference

BELL & GOSSETT	GRUNDFOS*	TACO**
NBF-8S/LW	UM 15-10B5	003B
NBF-9U/LW	UP 15-18SU	006B
NBF-10S/LW	UP 15-18B5	006B
NBF-12U/LW	UP 15-42SU	005B
NBF-12F/LW	UP 15-42SF	005B
NBF-18S	UP 15-42B5	-
NBF-22U	UP 25-64SU	007B
NBF-22	UP 25-64SF	007B
SSF-22	UP25-64SF	007B
NBF-25	UPS15-58	00R-MS
NBF-33	-	0010B
NBF-36	UP26-96BF	0011B
	UP26-99BF	0013B
	UP26-64SF	0014B
NBF-45	UP43-75BF	-

\*Grundfos is a registered trademark of Grundfos Pumps Corp.

\*\*Taco is a registered trademark of Taco, Inc.



## Specifications

Model Number	Part Number	Connections	Dimensions Inches (mm)			Standard 60 Cycle Motor Characteristics*					Shipping Weight lbs. (Kg)
			A	B	C	Watts	∅	Volts	F.L. Amps	RPM	
NBF-8S/LW	103257LF	1/2" Sweat	5 (127)	5 7/32 (132)	4 7/8 (124)	39	1	115	0.39	2800	9.0 (4.1)
NBF-9U/LW	103258LF	Union**	6 1/8 (156)	5 1/16 (129)	4 7/8 (124)	41			0.40		9.3 (4.2)
NBF-10S/LW	103259LF	1/2" Sweat	5 (127)	5 7/32 (132)	4 7/8 (124)	55			0.46		9.0 (4.1)
NBF-12F/LW	103260LF	Flange 3/4, 1, 1 1/4, 1 1/2	6 3/8 (162)	5 9/16 (141)	4 7/8 (124)	55			0.48		9.5 (4.3)
NBF-12U/LW	103261LF	Union**	6 1/8 (156)	5 1/16 (129)	4 7/8 (124)	55			0.48		9.3 (4.2)
NBF-18S	103316LF	1/2" Sweat	5 (127)	5 7/32 (132)	4 7/8 (124)	90			0.74	3000	9.0 (4.1)
NBF-22	103252LF	Flange 3/4, 1, 1 1/4, 1 1/2	6 3/8 (162)	5 9/16 (141)	4 7/8 (124)	92			0.80	2940	9.5 (4.3)
NBF-22U	103255LF	Union**	6 1/8 (156)	5 1/16 (129)	4 7/8 (124)	92			0.80		9.3 (4.2)
NBF-25	103418LF	Flange 3/4, 1, 1 1/4, 1 1/2	6 3/8 (162)	6 3/16 (157)	5 1/8 (130)	125			1.10	2950	10.4 (4.7)
NBF-33	103351LF	Flange 3/4, 1, 1 1/4, 1 1/2	6 3/8 (162)	6 3/16 (157)	5 1/8 (130)	125			1.10		10.4 (4.7)
NBF-36	103401LF	Flange 3/4, 1, 1 1/4, 1 1/2	6 3/8 (162)	6 7/8 (175)	5 3/4 (146)	270			3300	2.30	13.1 (6.0)
NBF-45	103405LF	Flange 1, 1 1/4, 1 1/2	8 1/2 (216)	7 3/8 (187)	5 3/4 (147)	270				14.5 (6.6)	
SSF-9U/LW	103360LF	Union**	6 1/8 (156)	5 1/16 (129)	4 7/8 (124)	41			0.40	2800	9.3 (4.2)
SSF-12F/LW	103358LF	Flange 3/4, 1, 1 1/4, 1 1/2	6 3/8 (162)	5 9/16 (141)	4 7/8 (124)	55			0.48		9.5 (4.3)
SSF-12U/LW	103361LF	Union**	6 1/8 (156)	5 1/16 (129)	4 7/8 (124)	55	2940	0.80	9.3 (4.2)		
SSF-22	103357LF	Flange 3/4, 1, 1 1/4, 1 1/2	6 3/8 (162)	5 9/16 (141)	4 7/8 (124)	92		0.80	9.5 (4.3)		
SSF-22U	103362LF	Union**	6 1/8 (156)	5 1/16 (129)	4 7/8 (124)	92		0.80	9.3 (4.2)		

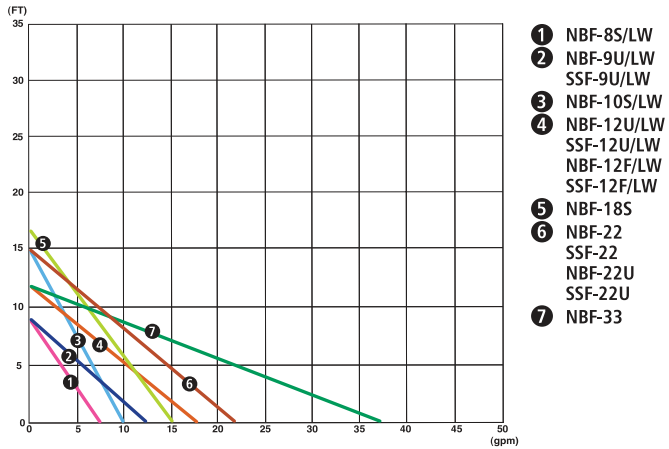
\* Impedance protected

\*\* Union Connections are available in 3/4" NPT, 1/2" sweat & 3/4" sweat.

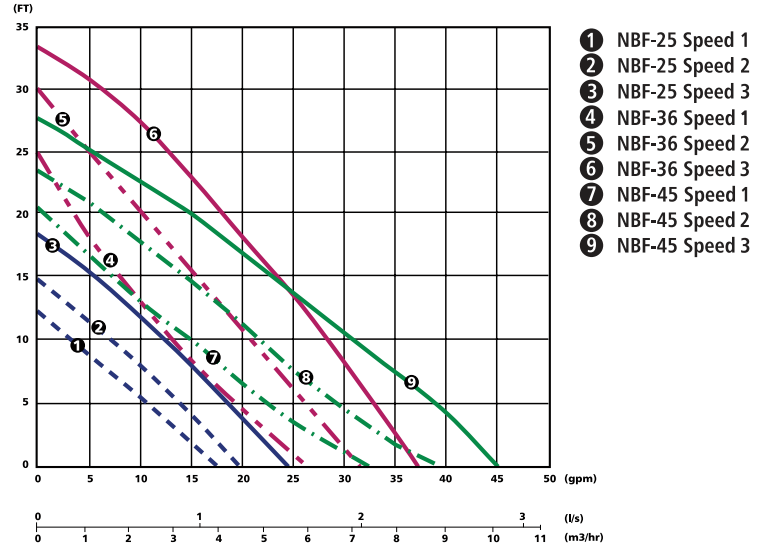


# CIRCULATORS Lead-Free Wet Rotor Circulators for Potable Water / NBF & SSF – continued

## Single Speed-NBF/SSF 60 HZ Performance Curve



## Three Speed-NBF 60 HZ Performance Curve



# CIRCULATORS Series LR™ Maintenance-Free Circulators

## Materials of Construction

Pump Body: LR-20WR: Cast Iron  
LR-15BWR: Lead-Free\* Bronze

Impeller: Noryl®

Shaft: Ceramic

Bearings: Carbon

\*CSA certified to NSF/ANSI 372 that product contains less than 0.25% lead content by weight on wetted surface.

## Operating Data

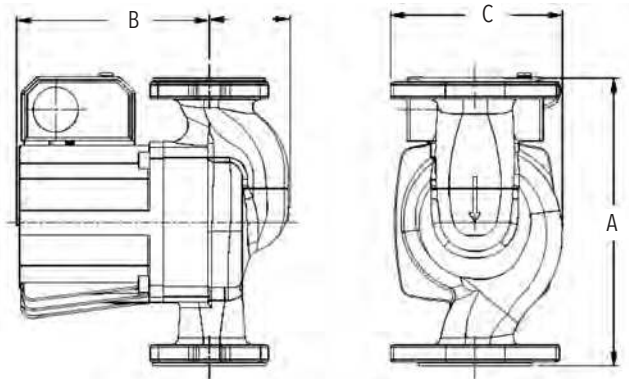
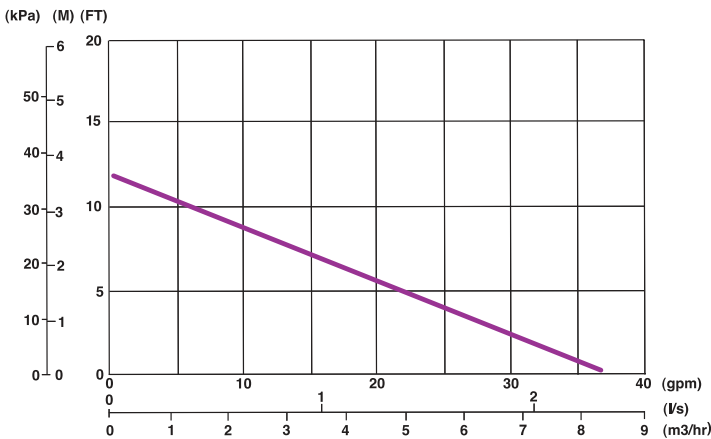
Maximum Working Pressure: 150 PSI (10 bar)

Maximum Operating Temperature: 225°F (107°C)



LR-15B

LR-20



## Specifications

Model Number	Part Number	Pump Body Material	Flange Sizes Inches-NPT	Dimension Inches (mm)			Standard 60Hz Motor Characteristics*				Approx. Shpg. Wt. lbs (Kg)	
				A	B	C	Watts	Ø	F.L. Amps	FL Amps		RPM
LR-20WR	106507	Cast Iron	3/4, 1, 1-1/4, 1-1/2	6-3/8 (162)	6 (152)	3-7/8 (98)	125	1	115	1.10	2950	10.4 (4.7)
LR-15BWR	106514LF	Bronze	3/4, 1, 1-1/4, 1-1/2									

# CIRCULATORS Maintenance-Free Circulators

## SERIES PL™ a superior alternative to large wet rotor pumps



PL-30, 36, 45, 50, 55

PL-75, 130

### Operating Data

Maximum Working Pressure: 150 PSI (10.3 bar)  
Maximum Operating Temperature: 225°F (107°C)

### Materials of Construction

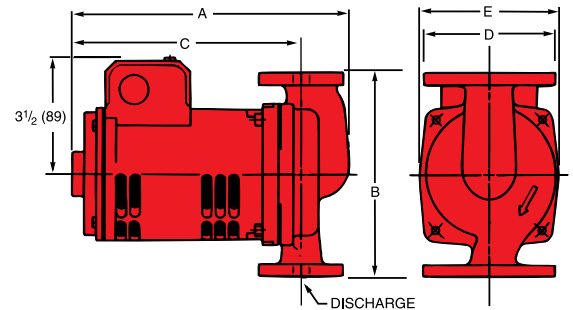
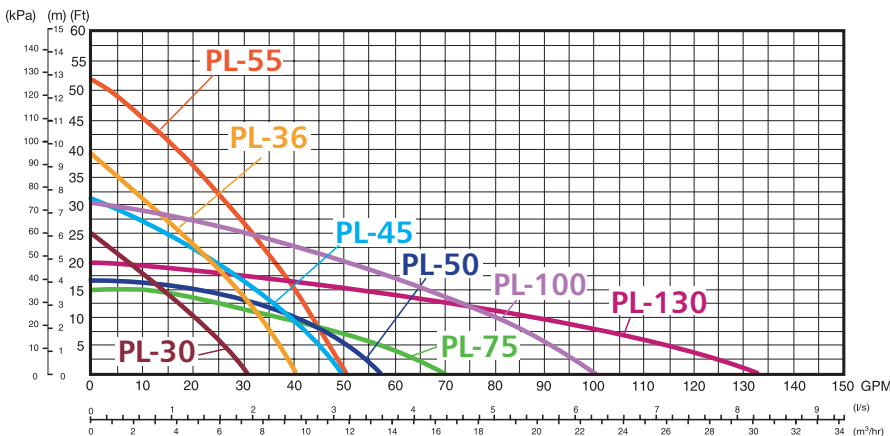
Booster Body: Cast Iron or Lead-Free\* Bronze  
Face Plate: Stainless Steel  
Impeller: 30% Glass Filled Noryl® (PL-55 & PL-130): Glass Filled PPS  
Shaft: Carbon Steel (PL-55 & PL-130): Stainless Steel  
Shaft Sleeve: Stainless Steel (PL-55 & PL-130): None  
Seal: Mechanical, Carbon on Silicon Carbide  
Motor Bearings: Sealed Precision Steel Ball Bearing Permanently Lubricated  
Motor Type: ODP  
Elastomers: EPDM

\*CSA certified to NSF/ANSI 372 that product contains less than 0.25% lead content by weight on wetted surface.

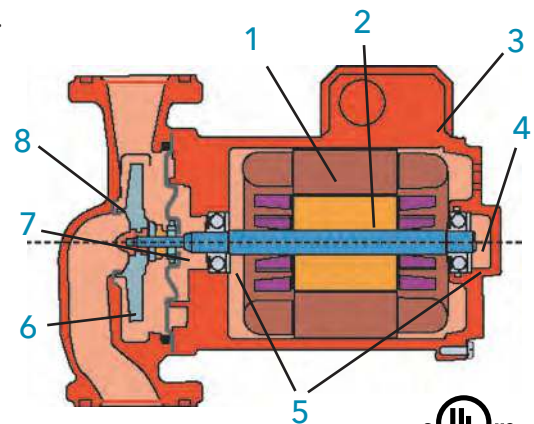
### Specifications

Cast Iron		Lead Free		Flange Sizes Inches - NPT	Motor Characteristics*				Dimension Inches (mm)@ 60Hz					Approx. Shpg. Wt. lbs (Kg)
Model Number	Part Number	Model Number	Part Number		HP	Ø	Voltage	RPM	A	B	C	D	E	
PL-30	1BL012	PL-30B	1BL013LF	3/4", 1", 1-1/4", 1 1/2"	1/12th	1	115	2650	8-5/8" (219)	6-3/8" (162)	7-1/8" (181)	4-3/16" (106)	4-3/8" (111)	11.6 (5.3)
PL-36	1BL001	PL-36B	1BL003LF	3/4", 1", 1-1/4", 1 1/2"	1/6th			3300	8-5/8" (219)	6-3/8" (162)	7-1/8" (181)	4-3/16" (106)	4-3/8" (111)	13.1 (6.0)
PL-45	1BL002	PL-45B	1BL004LF	1", 1-1/4", 1-1/2"	1/6th			3300	9-1/8" (232)	8-1/2" (216)	7-1/4" (184)	4-5/8" (117)	4-1/2" (114)	14.5 (6.6)
PL-50	1BL016	PL-50B	1BL017LF	1", 1-1/4", 1-1/2"	1/6th			3300	9-1/8" (232)	8-1/2" (216)	7-1/4" (184)	4-5/8" (117)	4-1/2" (114)	14.5 (6.6)
PL-55	1BL032	PL-55B	1BL068LF	3/4", 1", 1-1/4", 1 1/2"	2/5th			3250	9-9/16 (243)	6-3/8" (162)	7-15/16" (202)	4-3/16" (106)	4-3/4" (121)	13.1 (6.0)
PL-75	1BL034	PL-75B	1BL035LF	2"	1/6th			3400	9-15/16 (252)	8-1/2" (216)	7-3/8" (187)	5-3/16" (132)	4-5/8" (117)	18.5 (8.4)
PL-100	1BL134	PL-100B	1BL136LF	1", 1-1/4", 1-1/2"	2/5th			3250	9-1/8" (232)	8-1/2" (216)	7-1/4" (184)	4-5/8" (117)	4-1/2" (114)	14.5 (6.6)
PL-130/2"	1BL063	PL-130B/2"	1BL065LF	2"	2/5th			3200	10-3/4" (273)	8-1/2" (216)	8-1/4" (210)	5-3/16" (132)	5-1/8" (130)	22 (10)
PL-130/3"	1BL070	PL-130B/3"	1BL072LF	3"	2/5th			3200	10-3/4" (273)	8-1/2" (216)	8-1/4" (210)	6" (130)	5-1/8" (130)	27 (12.2)

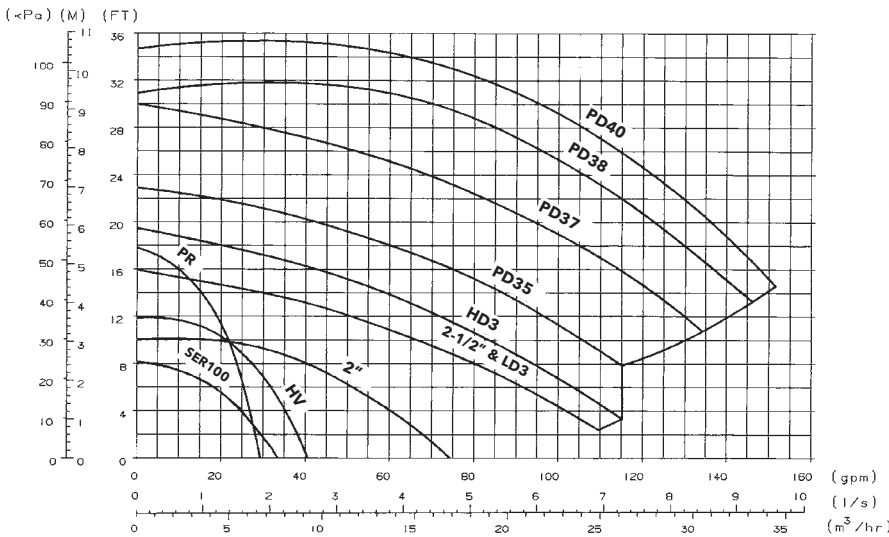
\* 230/60/1 motors available upon request. Models PL-75 and PL-130 have four bolt hole flange connection, all others have two bolt hole flange connectors. Dimensions are approximate and subject to changes. Contact factory for certified dimensions.



- 1 B&G's powerful, dry-motor design delivers exceptional performance. . . . 25% more efficient than competition.
- 2 Precision-machined and balanced alloy steel rotor for superior performance.
- 3 Quick-connect wire nut leads and dual knock-outs make for fast, sure hook-ups.
- 4 Solid "Stiff-Shaft" design is constructed of high-strength alloy steel impervious to cracking caused by thermal stresses.
- 5 XL-11™ Precision-Crafted Bearing System... is permanently oil lubricated... completely maintenance free...precisely positioned for long-life and isolated for quiet operation.
- 6 Advanced close-coupled design increases pump life and efficiency, assures dependable seasonal start-ups and can easily handle difficult water conditions.
- 7 Tough, durable seal system features a carbon/silicon carbide seal on a stainless steel shaft sleeve for long life and rugged operation.
- 8 Double sided I-Seal™ design for optimum efficiency.

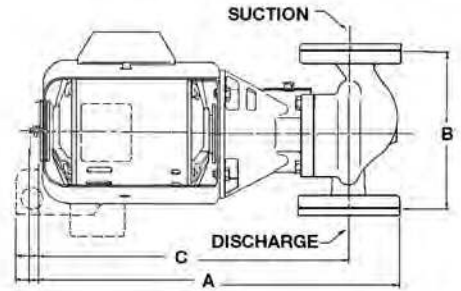


# CIRCULATORS Oil Lubricated Circulators Three-Piece



## Operating Data

Maximum Working Pressure: 125 PSI (8.6 bar)  
 Maximum Operating Temperature:  
 Standard Seal: 225°F (107°C) continuous  
 Special Seals: 250°F (121°C) continuous



## Specifications

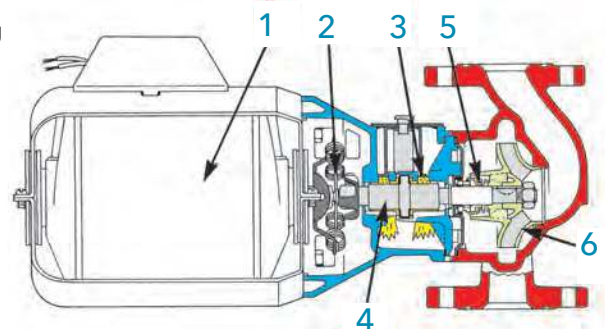
Model Number	Cast Iron		Bronze		Flange Size Inches (NPT)	Motor Characteristics* @ 60 Hz			Dimensions in Inches (mm) (Open Drip-Proof)			Approximate Shpg. Wt. lbs. (Kg)	
	Model Number	Part Number	Model Number	Part Number		HP	Ø	Voltage	A	B	C	Cast Iron	Bronze
Series 100	100NFI	106189	100 AB	106192LF	3/4, 1-1/4, 1-1/2	1/12	115 - with built-in overload protection	14-7/8 (378)	6-3/8 (162)	12-3/4 (324)	20 (9)	21 (10)	
	100BI	106190	100 BNFI	106197LF									
Series PR	PR	102206	PR AB	102208LF	3/4, 1-1/4, 1-1/2	1/6		15-1/4 (387)	8-1/2 (216)	12-3/4 (324)	30 (14)	32 (15)	
	PR BI	102207		102208LF									
Series HV	HV NFI	102210	HV AB	102231LF	1, 1-1/4, 1-1/2	1/6		15-3/8 (391)	8-1/2 (216)	13 (330)	28 (13)	30 (14)	
	HV BI	102230	HV BNFI	102231LF									
2"	2 NFI	102214	2 AB	102233LF	2	1/6		16-5/8 (422)	8-1/2 (216)	14 (356)	36 (16)	39 (18)	
	2 BI	102232	2 BNFI	102217LF									
2-1/2"	2-1/2	102218	2-1/2 AB	102220LF	2-1/2	1/4		17-1/4 (438)	10 (254)	14 (356)	54 (24)	58 (26)	
	2-1/2 BI	102219		102220LF									
LD3	LD3	102222	LD3 AB	102224LF	3	1/4		17-1/4 (438)	10 (254)	14 (356)	53 (24)	57 (26)	
	LD3 BI	102223		102224LF									
HD3	HD3	102226	HD3 AB	102228LF	3	1/3	17-1/2 (445)	10 (254)	14-1/4 (362)	55 (25)	59 (27)		
	HD3 BI	102227		102228LF									
PD-35S	PD35S	105089	PDB35S	105092LF	3	1/2	20-1/4 (514)	12 (305)	16-7/8 (429)	75 (34)	80 (36)		
	PD35S BI	105090		105092LF									
PD-35T	PD35T	105093	PDB35T	105096LF	3	1/2	20-1/4 (514)	12 (305)	16-7/8 (429)	75 (34)	80 (36)		
	PD35T BI	105094		105096LF									
PD-37S	PD37S	105097	PDB37S	105100LF	3	3/4	20-1/4 (514)	12 (305)	16-7/8 (429)	75 (34)	80 (36)		
	PD37S BI	105098		105100LF									
PD-37T	PD37T	105101	PDB37T	105104LF	3	3/4	20-1/4 (514)	12 (305)	16-7/8 (429)	75 (34)	80 (36)		
	PD37T BI	105102		105104LF									
PD-38S	PD38S	105121	PDB38S	105123LF	3	1	22-3/4 (578)	14-1/2 (368)	19 (483)	128 (58)	138 (63)		
	PD38S BI	105122		105123LF									
PD-38T	PD38T	105133	PDB38T	105135LF	3	1	24 (610)	14-1/2 (368)	20-1/4 (514)	125 (57)	135 (61)		
	PD38T BI	105134		105135LF									
PD-40S	PD40S	105151	PDB40S	105153LF	3	1-1/2	24-3/4 (629)	14-1/2 (368)	21 (533)	130 (59)	140 (64)		
	PD40S BI	105152		105153LF									
PD-40T	PD40T	105137	PDB40T	105139LF	3	1-1/2	21-7/8 (556)	14-1/2 (368)	18-1/8 (460)	127 (58)	137 (62)		
	PD40T BI	105138		105139LF									

PD-38 and PD-40 are ball bearing, maintenance-free design.

\*Special motors available upon request. Dimensions are approximate and subject to changes. Contact factory for certified dimension.

- 1 B&G Motor – The heart of the booster. The finest circulator motor available. Sleeve bearing, oil lubricated with replaceable resilient motor mounts. B&G motors are designed and manufactured specifically for the B&G boosters.
- 2 Noise dampening coupler. B&G’s own flexible spring design adds to quiet operation. Do not accept a substitute.
- 3 Long bronze sleeve bearings maintain exact shaft alignment. Provides for constant circulation of oil over bearing surfaces.

- 4 Precision ground pump shaft is oversized to provide large bearing surfaces. Hardened integral thrust collar minimizes end-thrust to ensure long seal and bearing life.
- 5 The B&G mechanical seal is designed to withstand the wide range of water temperatures, pressures, additives and dissolved solids common in hydronic systems.



- 6 Centrifugal impeller prevents accumulation of air at seal faces to assure long life. Close impeller/body tolerances minimize water slippage and maximize efficiency.



# CIRCULATORS Series e-60 In-Line Mounted Centrifugal Pump Now Available with ECM Motor

## Description

A maintenance-free, in-line, cast iron or cast bronze centrifugal pump with optional built-in simple variable speed capability for some sizes.

## Designed for a variety of applications

- Hydronic heating & cooling systems
- Domestic water
- Fluid transfer
- Header/boiler recirculation

## Product Features

- Maintenance-free pump and motor design
- Unitized internal self-flushing mechanical seal
- XL11® permanent lubrication system
- Factory tested for quality
- ISO 9001 certified
- Durable neoprene coupling
- Compact design
- Easy installation
- Wide range of standard sizes
- Three-year B&G warranty

## Materials of Construction

Body: Cast Iron (Bronze Fitted) or Cast Bronze (All Bronze)  
 Impeller: Cast Bronze  
 Motor Shaft: Alloy Steel  
 Pump Shaft: Steel  
 Volute Gasket: Cellulose Fiber  
 Shaft Sleeve: Copper Alloy  
 Bracket: Cast Iron with Stainless Steel Face Plate: 304 Stainless Steel  
 Mechanical Seal: EPR/Carbon/SIC Standard: -10°F to 225°F

## Operating Data

Maximum working pressure: 175 PSI  
 Working fluid temperature: -10°F to 225°F  
 Temperatures up to 250°F (121°C) with optional Seal

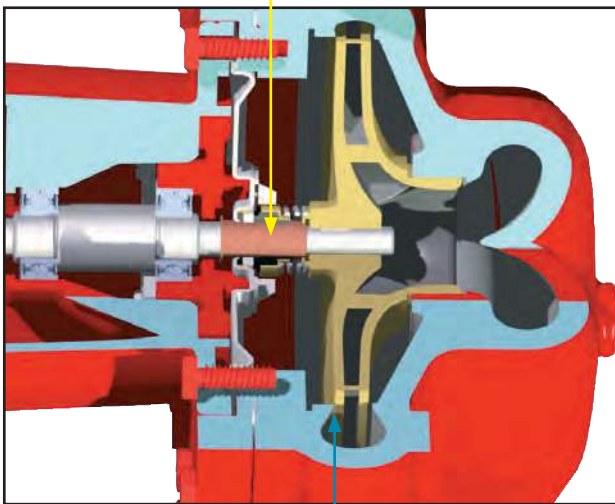


Shown with optional ECM motor



## Unitized internal self-flushing seal

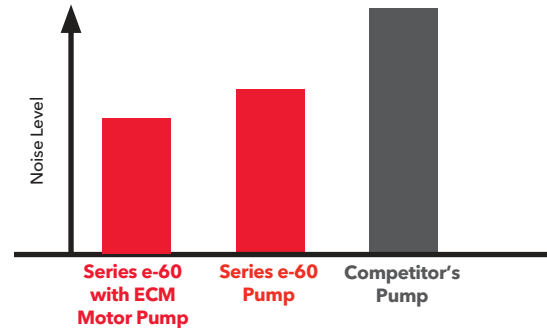
Bell & Gossett's open seal chamber design provides superior flow circulation around the seal faces, resulting in reduced heat buildup, increased particle removal and superior seal-face flushing. The one-piece seal design minimizes internal shear stresses and improves seal alignment, lengthening seal life and reducing friction. These design features contribute to long, reliable seal performance.



## Impeller

State-of-the-art hydraulically balanced impellers and resilient-mounted motors provide smooth, quiet operation.

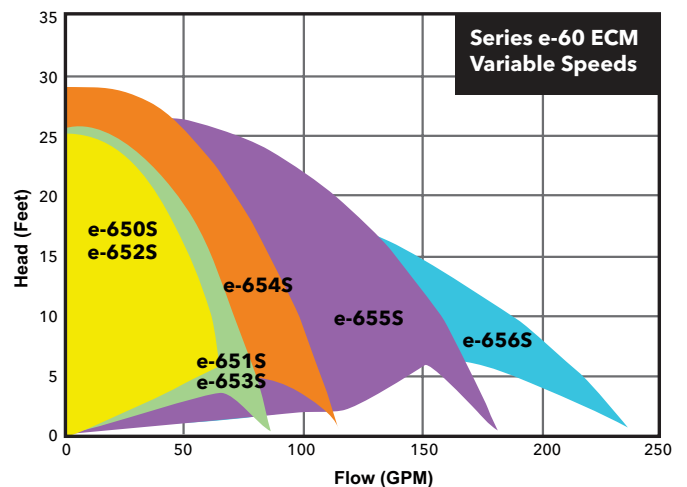
## Series e-60 with ECM Motor Pump is 5% quieter than standard Series e-60



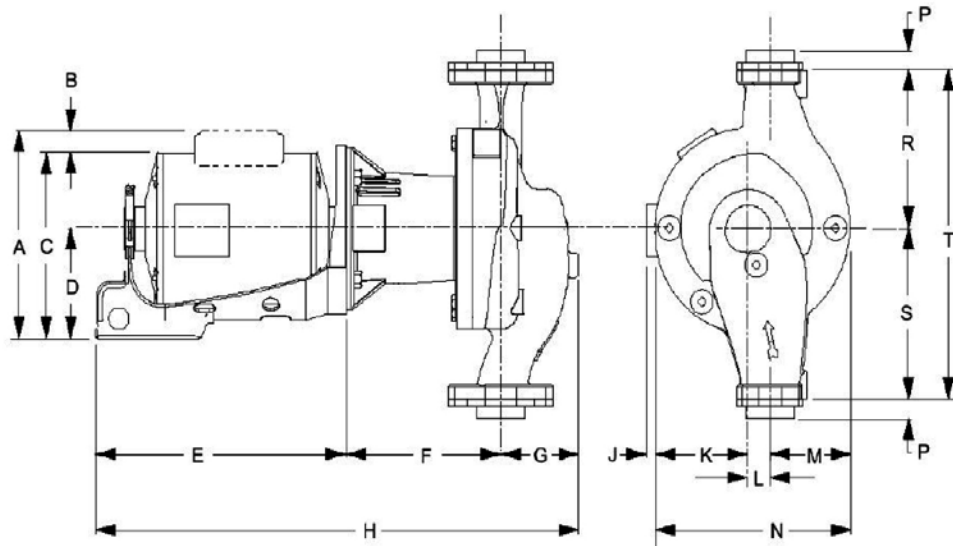
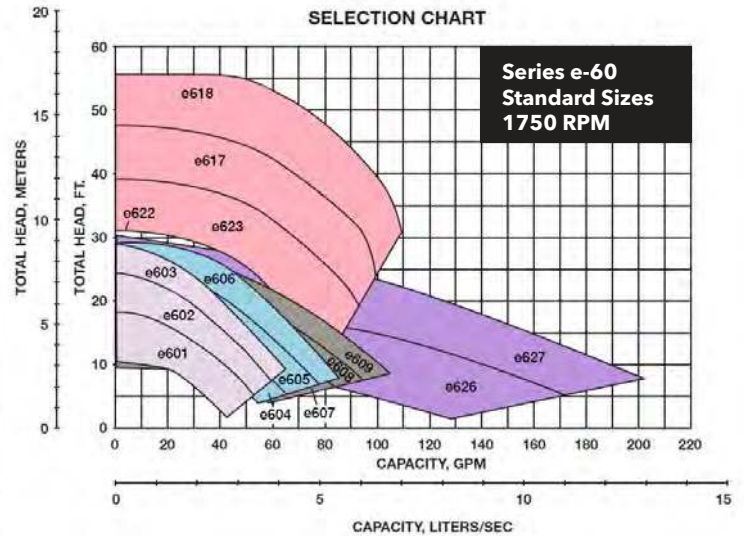
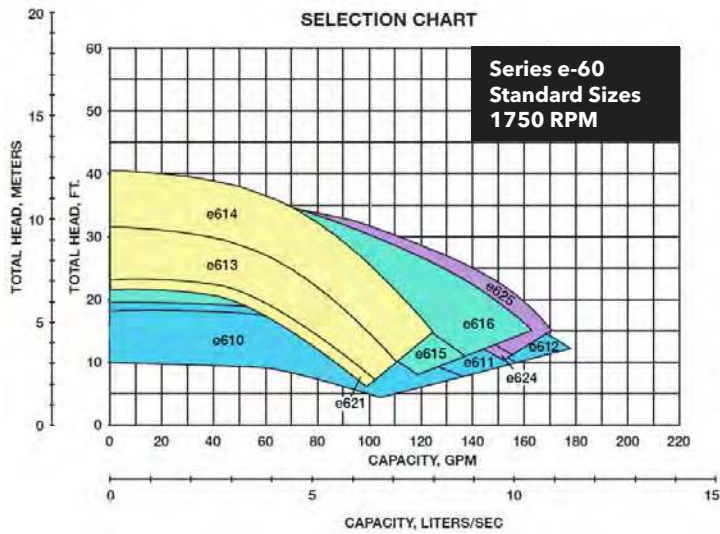
## Quiet operation

The XL-11® Precision-Crafted Bearing System, advanced fluid passage design and B&G permanently lubricated motor come together to deliver smooth, quiet, maintenance-free performance.

## Series e-60 ECM Hydraulic Performance Curves



# CIRCULATORS Series e-60 In-Line Mounted Centrifugal Pump



## Specifications

Model	Suction and Discharge Size Inches NPT	Pump Dimension in Inches (mm)									
		F	G	K	L	M	N	P	R	S	T
e601, e602 & e603	1	6-7/16 (164)	3-7/16 (87)	3-5/8 (92)	1-3/8 (35)	2-1/2 (64)	7-1/2 (190)	3/4 (19)	5 (127)	6 (152)	11 (279)
e604, e605 & e606	1-1/4	6-7/16 (164)	3-7/16 (87)	3-5/8 (92)	1-3/8 (35)	2-1/2 (64)	7-1/2 (190)	3/4 (19)	5 (127)	6 (152)	11 (279)
e607, e608 & e609	1-1/2	6-9/16 (167)	3-5/8 (92)	3-3/4 (95)	1-3/8 (35)	2-3/4 (70)	7-7/8 (200)	3/4 (19)	5 (127)	6-1/2 (165)	11-1/2 (292)
e613, e614 & e621	1-1/2	6-11/16 (170)	3-3/8 (86)	4-1/16 (103)	1 (25)	3-9/16 (90)	8-9/16 (217)	3/4 (19)	6-1/2 (165)	7 (176)	13-1/2 (343)
e617, e618, e622 & e623	1-1/2	9-3/8 (238)	3-1/4 (83)	4-5/8 (117)	1 (25)	3-7/8 (98)	9-1/2 (241)	3/4 (19)	6-1/2 (165)	7 (176)	13-1/2 (343)
e610, e611 & e612	2	6-11/16 (164)	3-3/4 (95)	3-3/4 (95)	1-3/8 (35)	2-7/8 (73)	8 (203)	13/16 (21)	5 (127)	6-1/2 (165)	11-1/2 (292)
e615, e616	2	6-15/16 (170)	3-1/2 (89)	4-3/8 (111)	1 (25)	4 (102)	9-3/8 (238)	13/16 (21)	6-1/2 (165)	7 (176)	13-1/2 (343)
e619, e620, e624 & e625	2	9-3/8 (238)	3-1/2 (89)	4-3/4 (121)	1 (25)	4-1/8 (105)	9-7/8 (251)	13/16 (21)	6-1/2 (165)	7-1/2 (165)	14 (356)

Maximum working pressure 175 PSI (12 Bar)

# FLANGES Check-Trol™ Isolation Flow Control Flange

## Description

The Check-Trol flange is a combination isolation valve, flow control valve, and companion flange for circulators. The ball valve allows the circulator to be removed from the system without draining the system. The internal spring check prevents gravity circulation. Free floating companion flange makes pump installation a snap.

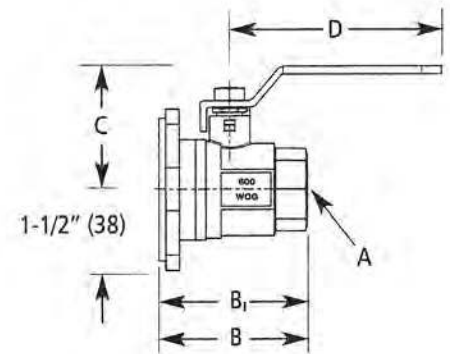
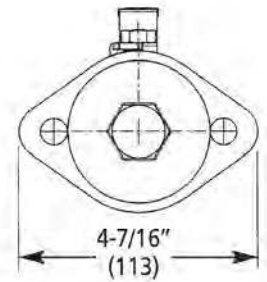
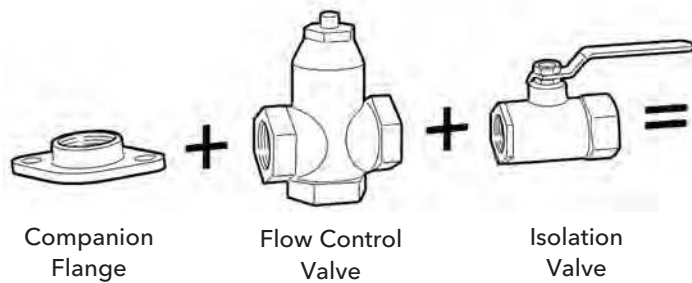
## Operating Data

Maximum Working Pressure: 150 PSI (10 bar)  
Maximum Operating Temperature: 200°F (93°C)

## Materials of Construction

Valve Body: Lead-Free\* Brass  
Flange: Chrome Plated Steel  
Ball: Chrome Plated Lead-Free\* Brass  
Packing: PTFE  
Seat Ring: PTFE  
Stem: Lead-Free\* Brass  
Spring Check: Nitrile, Acetal, Stainless Steel

\*CSA certified to NSF/ANSI 372 that product contains less than 0.25% lead content by weight on wetted surface.



## Specifications

Model Number	Size Inches	Use with Following Circulators	Dimensions - Inches (mm)					Approx. Shpg. Wt. lbs. (Kg)
			A	B	B <sub>1</sub> **	C	D	
101231LF	3/4" NPT x Flange	ecocirc auto and vario	3/4" NPT	3-7/64" (79)	2-27/64" (61.5)	2" (50.5)	4-23/32" (120)	3.4 (1.5)
101232LF	1" NPT x Flange		1" NPT	3-15/16" (100)	2-57/64" (73.3)	2-5/32" (54.7)	4-23/32" (120)	4.4 (2.0)
101233LF	1-1/4" NPT x Flange	ecocirc XL 20-35, 36-45, 55-45	1-1/4" NPT	4-25/32" (121.4)	3-19/64" (84)	3" (76.2)	6-7/32" (158)	6.3 (2.8)
101245LF	1-1/2" NPT x Flange		1-1/2" NPT	4-27/32" (122.9)	3-23/64" (85.5)	3" (76.2)	6-7/32" (158)	6.6 (3.0)
101236LF	3/4" SWT x Flange	NRF/NBF/SSF Wet Rotors*	3/4" SWT	3-21/64" (84.5)	2-41/64" (67)	2" (50.5)	4-23/32" (120)	3.4 (1.5)
101237LF	1" SWT x Flange		1" SWT	4-1/64" (102)	3" (75.3)	2-5/32" (54.7)	4-23/32" (120)	4.2 (1.9)
101238LF	1-1/4" SWT x Flange	Series PL-30, PL-36, PL-55	1-1/4" SWT	4-55/64" (123.4)	3-25/64" (86)	3" (76.2)	6-7/32" (158)	5.9 (2.7)
101247LF	1-1/2" SWT x Flange		1-1/2" SWT	5-1/64" (127.4)	3-35/64" (90)	3" (76.2)	6-7/32" (158)	6.5 (3.0)

\* Not for use with NRF/NBF-45.

Dimensions and weights are approximate and subject to change. Contact factory for certified dimensions. Check-Trol flange is sold with an isolation flange as a pair.

\*\* B<sub>1</sub> Dimension is overall length of isolation flange. The part numbers and shipping weights are for one Check-Trol flange and one isolation flange, capscrews and nuts.

# ISOLATION FLANGES

## Description

The isolation flange is a combination of an isolation ball valve and a companion flange for circulators. The isolation flange allows easy service or replacement of the circulator without the need to drain the system. The isolation flange fits the Bell & Gossett NRF/NBF/SSF wet rotors, Series PL, Series 100, HV, PR and LR circulators.

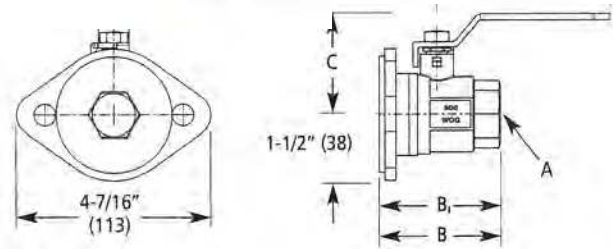
## Operating Data

Maximum Working Pressure: 150 PSI (10 bar)  
Maximum Operating Temperature: 250°F (121°C)

## Materials of Construction

Valve Body: Lead-Free\* Brass  
Flange: Chrome Plated Steel  
Ball: Chrome Plated Lead-Free\* Brass  
Packing: PTFE  
Seat Ring: PTFE  
Stem: Lead-Free\* Brass

\*CSA certified to NSF/ANSI 372 that product contains less than 0.25% lead content by weight on wetted surface.



## Specifications

Model Number	Size Inches	Use with Following Circulators	Dimensions - Inches (mm) Following Circulators				Approx. Shpg. Wt. lbs. (Kg)
			A	B	C	D	
101221LF	3/4" NPTF IF	ecocirc auto and vario	3/4" NPT	2-27/64" (61.5)	2" (50.5)	4-47/64" (120)	3.2 (1.5)
101222LF	1" NPTF IF		1" NPT	2-57/64" (73.3)	2-5/32" (54.7)	4-47/64" (120)	4.1 (1.9)
101223LF	1-1/4" NPTF IF	ecocirc XL 20-35, 36-45, 55-45	1-1/4" NPT	3-19/64" (84)	3" (76.2)	6-7/32" (158)	5.8 (26)
101241LF	1-1/2" NPTF IF		1-1/2" NPT	3-23/64" (85.5)	3" (76.2)	6-7/32" (158)	6.1 (28)
101226LF	3/4" SWT IF	NRF/NBF/SSF wet rotors	3/4" SWT	2-41/64" (67)	2" (50.5)	4-23/32" (120)	3.2 (1.5)
101227LF	1" SWT IF		1" SWT	3" (75.3)	2-5/32" (54.7)	4-23/32" (120)	3.9 (1.8)
101228LF	1-1/4" SWT IF	Series PL-30, PL-36, PL-55	1-1/4" SWT	3-25/64" (86)	3" (76.2)	6-7/32" (158)	5.4 (25)
101243LF	1-1/2" SWT IF		1-1/2" SWT	3-35/64" (90)	3" (76.2)	6-7/32" (158)	6 (27)

"IF" = "Isolation Flange"

Note: Dimensions and weights are approximate and subject to change. Contact factory for certified dimensions. The part numbers and shipping weights are for two isolation flanges, capscrews and nuts.

\* Not for use with NRF/NBF-45.

## Companion Flanges

### Flanges for Cast Iron Circulators

	Size (NPT)	Master Carton of 12 Part No.	Set of 2 Part No.
Series 100, PR NRF-22, NRF-9F/LW, NRF-33, NRF-36 PL-30, PL-36, PL-55 ecocirc XL	3/4"	101001	101201
	1"	101002	101202
	1-1/4"	101003	101203
	1-1/2"	101004	101204
Series HV, PL-45 PL-50, NRF-45 ecocirc XL	1"	101005	101205
	1-1/4"	101006	101206
	1-1/2"	101007	101207

	Size (NPT)	Set of 2 Part No.*
PL-75, PL-130/2" ecocirc XL 15-75	2"	101215
PL-130/3" ecocirc XL 40-275	2-1/2"	101219
	3"	101217

\*Includes Fasteners

### Flanges for Bronze Circulators

	Size (NPT)	Master Carton of 12 Part No.	Set of 2 Part No.
Series 100B, PRAB, NBF-22, NBF-12F/LW, NBF-33, NBF-36 PL-30B, PL-36B ecocirc XLB	3/4"	101011LF	101208LF
	1"	101012LF	101209LF
	1-1/4"	101013LF	101210LF
	1-1/2"	101014LF	101211LF
Series HV, PL-45B PL-50B, NBF-45 ecocirc XLB	1"	101015LF	101212LF
	1-1/4"	101016LF	101213LF
	1-1/2"	101017LF	101214LF

	Size (NPT)	Set of 2 Part No.*
PL-75B, PL-130B/2" ecocirc XLB 15-75	2"	101216LF
PL-130B/3" ecocirc XLB 40-275	2-1/2"	101220LF
	3"	101218LF

\*Includes Fasteners

## Union Connection for NBF Circulators

	Union Connection	Set of Two	
		Model No.	Part No.
NBF-22U, NBF-12U/LW NBF-9U/LW	1/2" sweat	UC-1/2S	113203LF
	3/4" sweat	UC-3/4S	113201LF
	3/4" NPT	UC-3/4NPT	113202LF



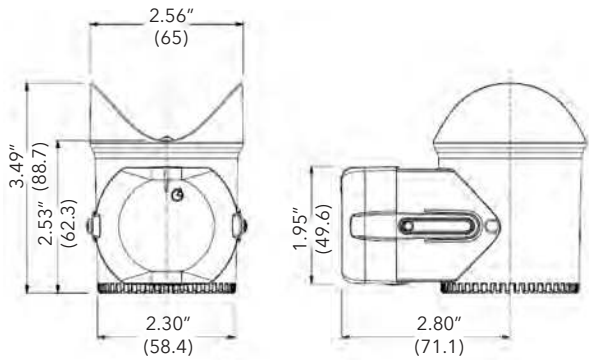
# CONTROLS ecocirc® e<sup>3</sup> SERIES TIMER

## Description

To increase the overall efficiency of a domestic hot water recirculating system and to reduce water wasted while waiting for hot water, the e<sup>3</sup> Timer can be installed on all e<sup>3</sup> pumps. The timer is easily installed by removing the motor end cap, plugging in the timer and setting the timer schedule without any wiring. The timer can be used in 3-different selections: ON, OFF and TIMER. The ON selection operates the pump continuously, the OFF selection turns the pump OFF and the TIMER selection (depicted by a clock on the timer) turns the pump on when programmed.

## Operational Limits

Power Supply: Internally powered by the e<sup>3</sup> circulating pump  
Minimum Switch Interval: 30 minutes  
Run Modes: ON (Continuous), OFF (Off at all times) and TIMER (run at programmed intervals)



**e<sup>3</sup> Timer**  
(Part No. LHB08260002)



**Pump not included**

## CONTROLS for NBF Circulators



### TC-1 Automatic Timer Kit (Part No. 113210)

To increase the overall efficiency of a hot water recirculation system, the TC-1 timer control kit can be installed for use on any B&G NBF circulator. The TC-1 timer control is programmable to turn the circulator ON and OFF automatically at preset times. This permits the user to have the pump circulate hot water only during those times when high usage can be expected throughout the day. Power supply minimum interval switch is 15 minutes. Run modes maximum switch current is 16 amps.



### AQS-1/2 (Part No. 113223) and AQS-3/4 (Part No. 113224) Aquastat

Designed to thermostatically turn any B&G NBF circulator ON and OFF. The AQ-1/2 or AQ-3/4 will switch the pump OFF at 120°F (48.9°C) and ON at 100°F (37.8°C). The aquastats are available in separate models that will sense the temperature for either 1/2" or 3/4" copper pipe.

AQS-1/2" clips onto 1/2" copper pipe or 3/8" steel pipe  
AQS-3/4" clips onto 3/4" copper pipe or 1/2" steel pipe



# RELAYS ZONETROL II AZ-1A™ Snap-On Pump Relay

## Description

The ZONETROL II AZ-1A snap on relay box is an easy to install single zone pump controller that mounts directly on any Bell & Gossett wet rotor circulator NRF/NBF or Series PL booster. The AZ-1A turns the pump and boiler ON as thermostat calls for heat. Using the wire nuts provided with the package, the AZ-1A is quickly assembled onto any NRF/NBF or 1/12 to 1/6 HP Series PL. The clearly marked TT terminals for the thermostat and the XX isolated end switch terminals make the rest of the hook-up a snap. The AZ-1A can be daisy-chained together to form a maximum of three zones.

The Bell & Gossett AZ-1A is ideal for any single to three zone pump application. Or can be used when adding a zone to an existing system. There's no more need to have a pump controller hanging on the wall, simply install the AZ-1A to our NRF/NBF or Series PL circulators and you are finished.



## Features

- Snap-on design allows the AZ-1A to be quickly attached to any B&G wet rotor circulator, reducing your inventory investment (no need to carry "special" circulators with factory mounted controllers)
- Clearly marked terminals make for sure, fast wiring of the system
- Compact design fits in tight locations and presents a clean professional appearance
- 100% factory tested assures reliable operation
- 5 year warranty – the best in the industry
- Daisy-Chain the AZ-1A relays to form up to three zones
- Can be used on any B&G model NRF, NBF or 1/12 to 1/6 HP Series PL pumps

## Specifications

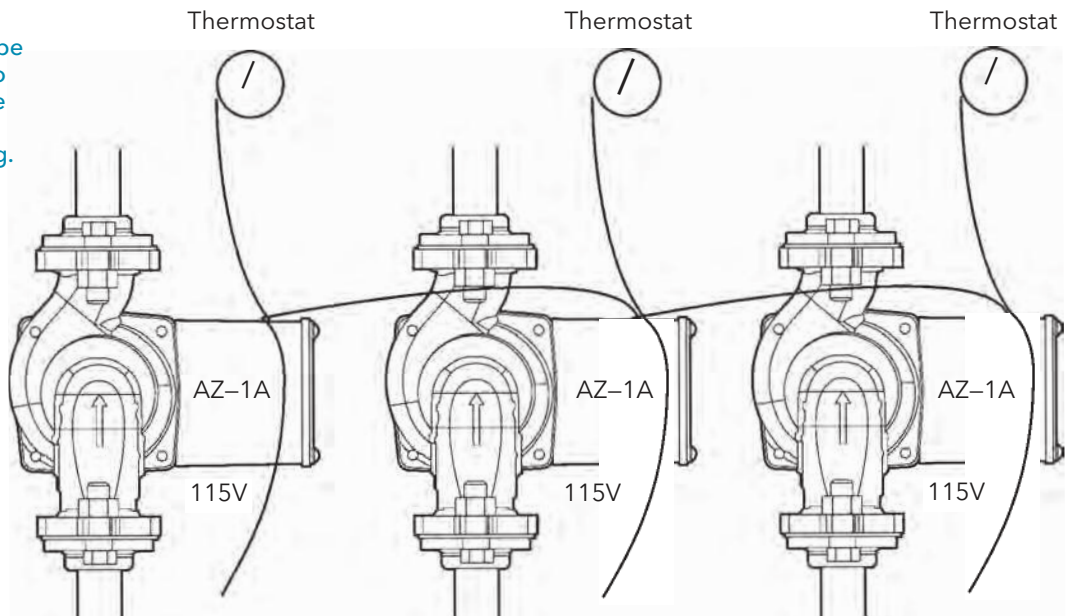
Model Number	Part Number	Transformer	Relay	Power Input
AZ-1A	109423	2.5 VA	24 VAC / 5 amps	115 V, 60 Hz, 1Ø

Dimensions (L x W x H): 2-7/8" X 3-1/4" X 2-5/8"  
 Approximate Shipping Weight: 0.75 lbs



The AZ-1A can be daisy-chained to form up to three zones with simplified wiring.

Low voltage wiring makes multiple relay connections a snap.



# RELAYS Comfort-Trol™ Zone Control Valve

## Description

Specifically designed to meet the most demanding requirements of residential, institutional and commercial hydronic heating and cooling systems.

## Features

- Silent running heat motor saves power via intermittent energizing.
- Unique double torsion spring opens and closes smoothly, prevents water hammering, assures positive shut-off.
- Leaf-type stack switch with blade terminals allow fast installation and no soldering.
- Compact design and ultra-quiet operation is ideal for installation under baseboards of wherever space is limited.
- Available in 3/4" sweat body connections.
- Minimum working pressure 125 psig (862 kPa)
- Fluid temperature range 40°F (4 °C) to 240°F (115°C)



## Specifications

Model Number	Part Number	Sweat Size	Voltage Rating 50/60 Hz, 1	VA Rating	Approx. Shpg. Wt. Lbs (kg)
CTS	109017	3/4"	24 Volt	15	1.0 (0.5)

# RELAYS ZONETROL II Switching Relays with Reset Option for Zoning with Pump

## Description

Bell & Gossett's ZoneTrol II is a ready-to-install controller for hydronic circulators in residential and light commercial applications. All ZoneTrol II controllers are UL and cUL listed and feature multi-function LEDs that are visible without removing the cover for easy start-up and troubleshooting. All units are compatible with analog and digital 24 VAC thermostats, including "power stealing" designs. The multi-zone controllers feature an advanced microprocessor design that provides domestic hot water (DHW) priority & timer, pump exercise and a post purge timer without the need for add-on circuit boards or modules.



The next generation of zone controllers from Bell & Gossett brings 21st century technology to residential controls.

Four and six zone controllers are field expandable for up to 18 pumps.

## Standard Features (multiple zone controllers only)

- Priority: Enables DHW zone to have priority over heating zones for limited period of time. User adjustable settings include OFF (disables priority functionality), 30 minutes and 60 minutes.
- Post Purge Timer: Circulator(s) will continue to run for 90 seconds after thermostat opens and allows additional extraction of BTUs from high mass boilers. User adjustable settings are OFF and ON.
- Exercise: Runs each circulator for 10 seconds after each 72 hours of inactivity. User adjustable settings are ON and OFF.
- Expandability: 4 and 6 zone controllers can easily be connected via a ZC-11 cable to accommodate systems consisting of up to 18 circulators.
- Five-year Warranty

## Specifications

Model Number	Part Number	Zones	Combined Load (max.) @120 VAC	Dimensions W x L x D Inches (mm)	Weight Lbs (kg)
Z-1	109424	1	5 amps	6.5 x 5 x 3 (165 x 127 x 76)	2.6 (1.18)
Z-2	109425	2	20 amps	6.5 x 5 x 3 (165 x 127 x 76)	3 (1.36)
Z-3	109426	3	20 amps	6.5 x 5 x 3 (165 x 127 x 76)	3.1 (1.4)
Z-4	109427	4	20 amps	13.5 x 8.25 x 3.25 (343 x 210 x 83)	7.3 (3.3)
Z-6	109430	6	20 amps	13.5 x 8.25 x 3.25 (343 x 210 x 83)	7.5 (3.4)
ZC-11*	109454	Communication cable for connection of multiple controllers			0.1 (0.05)

\*Fits 4 and 6 zone controllers only - one required for each slave controller.

# BALANCE VALVES Temp Setter™ Thermostatic Valves

## Description

Bell & Gossett Temp Setter thermostatic balance valves automatically control the minimum temperature of the hot water that circulates through your domestic hot water system, ensuring thermal balance throughout the system. With a stepless temperature dial, available in either °F or °C, it's fast and easy to set the desired temperature for your system.

For systems utilizing thermal bacterial disinfection, the Temp Setter valve is available with optional bypass that is independent of the valve's thermostatic element. The constant flow of high temperature fluid eradicates bacterial problems such as Legionella.

Temp Setter thermostatic balance valves are the perfect choice to safely and effectively balance your domestic hot water recirculation systems.



## Materials of Construction

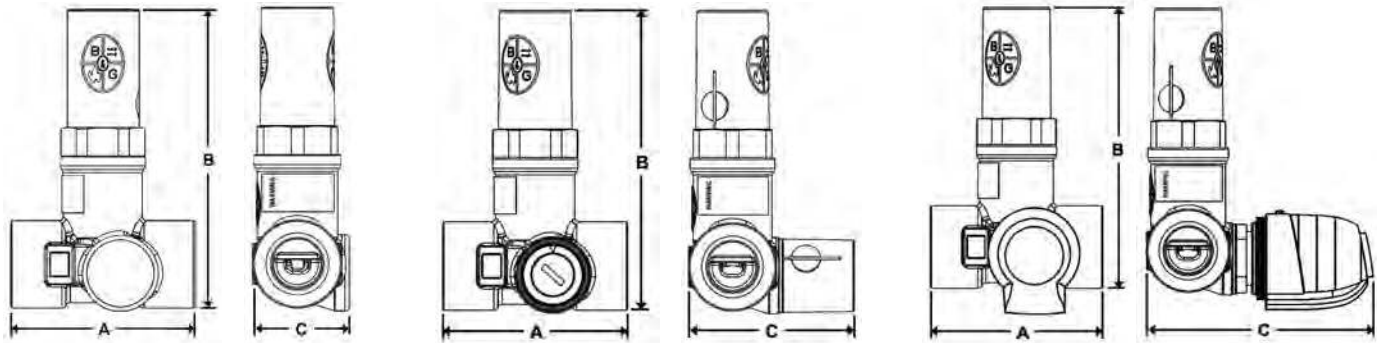
Body: 316 Stainless Steel  
 O-Rings: EPDM  
 Springs: 304 Stainless Steel  
 Thermostatic Element: Wax  
 Plastic Parts: POM, ABS, PC  
 Insulation Block: EPS

## Operating Data

Maximum Working Pressure: 145 psi (1,000 kPa)  
 Maximum Working Temperature: 212°F (100°C)  
 CSA Certified for NSF/ANSI 61  
 Temperature Adjustment Range: 98°F - 150°F (35°C - 65°C)  
 Temperature Accuracy: ±3.6°F (±2°C)  
 Insulation Block: EPS

Cv - Max: 1.27  
 Cv - Design: 1.44  
 Cv - Disinfection: 0.34  
 Cv - Min: .034

## Dimensions and Weight



Models w/o Bypass

Models w/Manual Bypass

Models w/Actuated Bypass

## Models w/o Bypass

Model Number	Part Number	Temperature Scale	Dimension in IN* (mm)				Approx. Weight lbs (kg)
			Size	A	B	C	
TS-1/2	117678LF	°F	0.5 (63)	2.5 (63)	4.1 (103)	1.3 (33)	1.0 (0.45)
TS-3/4	117680LF	°F	0.75 (19)	2.5 (63)	4.1 (103)	1.3 (33)	1.0 (0.45)
TS-1/2C	117682LF	°C	0.5 (63)	2.5 (63)	4.1 (103)	1.3 (33)	1.0 (0.45)
TS-3/4C	117684LF	°C	0.75 (19)	2.5 (63)	4.1 (103)	1.3 (33)	1.0 (0.45)

## Models w/Manual Bypass

Model Number	Part Number	Temperature Scale	Dimension in IN* (mm)				Approx. Weight lbs (kg)
			Size	A	B	C	
TSB-1/2	117679LF	°F	0.5 (63)	2.5 (63)	4.1 (103)	2.2 (57)	1.0 (0.45)
TSB-3/4	117681LF	°F	0.75 (19)	2.5 (63)	4.1 (103)	2.2 (57)	1.0 (0.45)
TSB-1/2C	117683LF	°C	0.5 (63)	2.5 (63)	4.1 (103)	2.2 (57)	1.0 (0.45)
TSB-3/4C	117685LF	°C	0.75 (19)	2.5 (63)	4.1 (103)	2.2 (57)	1.0 (0.45)

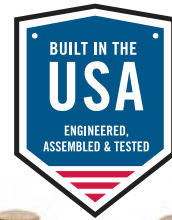
## Models w/Actuated Bypass

Model Number	Part Number	Temperature Scale	Dimension in IN* (mm)				Approx. Weight lbs (kg)
			Size	A	B	C	
TSB-1/2	N/A**	°F	0.5 (63)	2.5 (63)	4.1 (103)	3.8 (97)	1.5 (0.68)
TSB-3/4	N/A**	°F	0.75 (19)	2.5 (63)	4.1 (103)	3.8 (97)	1.5 (0.68)
TSB-1/2C	N/A**	°C	0.5 (63)	2.5 (63)	4.1 (103)	3.8 (97)	1.5 (0.68)
TSB-3/4C	N/A**	°C	0.75 (19)	2.5 (63)	4.1 (103)	3.8 (97)	1.5 (0.68)

\*Dimensions are +/- 0.125". Dimensions not to be used for construction purposes unless certified

\*\*Actuated Bypass requires Manual Bypass valve plus Actuator (PN 109518) and Actuator Adapter Kit (PN 117686)

# BALANCE VALVES Lead-Free\* Circuit Setter® Plus



## Description

The Circuit Setter Plus and Circuit Setter Plus RF provide the perfect balance of adjustability and efficiency for potable water and HVAC systems. They are precisely calibrated for use as a presettable balance valve, variable orifice flow meter and positive shut-off service valve. They are also designed for optimal system efficiency and water conservation. The Circuit Setter Plus and Circuit Setter Plus RF can provide the perfect balancing solutions for your potable water and HVAC system.

Save time, energy and water with the lead-free Circuit Setter Plus and Circuit Setter Plus RF.

- Designed for all plumbing and HVAC systems.
- Provides equal flow throughout all circuits to conserve water and optimize system efficiency.
- Calibrated accurate flow control and measurement.
- Bi-directional design allows any installation configuration.
- Externally adjustable manual balance valve for easy adjustment.
- Reduces pump energy requirements.
- Meets or exceeds stringent codes for potable water.
- Includes memory stop indicator.
- Provides drain option.
- Provides positive shut off and isolation.
- Includes pressure/temperature ports.

## Materials of Construction

Body: Brass ASTM B283-C69300\*  
 Ball: 304 Stainless Steel  
 Seat Rings: Glass and Carbon filled TFE  
 Readout Valves: Brass with EPT check valves  
 Stem "O" Ring: EPDM

## Maximum Working Pressure

NPT Models: 400 PSIG (2758 kPa)  
 Sweat Models: See table below

## Maximum Operating Temperature

-4°F (-20°C) to 250°F (121°C)

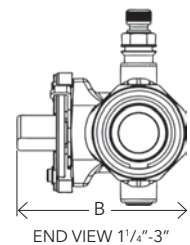
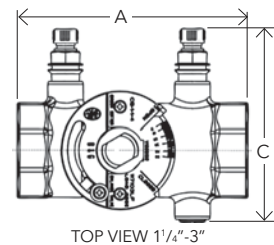
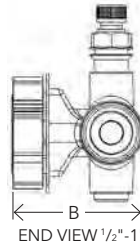
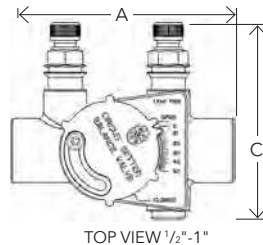
\*CSA certified to NSF/ANSI 372 that product contains less than 0.25% lead content by weight on wetted surface.

Type Solder	Maximum Pressure Limitations for 1/2" - 1" with Solder Connections	
	Pressure PSI kPa	Temp °F (°C)
95-5 Tin-Antimony	300 (2068)	200 (93)
	250 (1724)	225 (107)
	200 (1379)	250 (121)

CB-1SLF



CB-1LF



## Specifications

Model Number	Part Number	Size	Connection Type	Dimensions** in Inches (mm)			Weight in lbs. (kg)
				A	B	C	
RF-1/2 LF	117410LF	1/2"	Sweat	2.91 (73.9)	1.82 (46.2)	2.85 (72.4)	0.6 (0.27)
RF-3/4 LF	117411LF	3/4"	Sweat	3.51 (89.2)	2.05 (52.1)	3.10 (78.7)	0.75 (0.34)
CB-1/2 LF	117412LF	1/2"	Sweat	2.91 (73.9)	1.82 (46.2)	2.85 (72.4)	1 (0.45)
CB-3/4 LF	117413LF	3/4"	Sweat	3.51 (89.1)	2.05 (52.1)	3.10 (78.7)	1.25 (0.6)
CB-1S LF	117401LF	1"	Sweat	4.29 (109)	2.33 (59.2)	3.33 (84.6)	2 (0.91)
CB-1 1/4 LF	117402LF	1 1/4"	Sweat	4.91 (124.7)	3.08 (78.2)	3.69 (93.7)	3.5 (1.6)
CB-1 1/2 LF	117403LF	1 1/2"	Sweat	5.21 (132.3)	3.27 (83)	3.95 (100.3)	3.8 (1.7)
CB-2S LF	117404LF	2"	Sweat	6.31 (160.3)	3.83 (97.3)	4.44 (112.8)	6.2 (2.8)
CB-1/2 LF	117414LF	1/2"	NPT	2.94 (74.7)	1.98 (50.3)	3.02 (76.7)	1.25 (0.6)
CB-3/4 LF	117415LF	3/4"	NPT	3.06 (77.7)	2.17 (55.1)	3.12 (79.2)	1.5 (0.7)
CB-1 LF	117416LF	1"	NPT	3.81 (96.8)	2.47 (62.7)	3.42 (86.9)	2 (0.9)
CB-1 1/4 LF	117103LF	1 1/4"	NPT	4.41 (112)	3.19 (81)	3.69 (93.7)	3.5 (1.6)
CB-1 1/2 LF	117104LF	1 1/2"	NPT	4.42 (112.3)	3.37 (85.6)	3.95 (100.3)	3.8 (1.7)
CB-2 LF	117105LF	2"	NPT	5.13 (130.3)	3.98 (101.1)	4.44 (112.8)	6.2 (2.8)
CB-2 1/2 LF	117106LF	2 1/2"	NPT	6.00 (152.4)	4.51 (114.6)	4.83 (122.7)	9 (4.1)
CB-3 LF	117107LF	3"	NPT	6.50 (165.1)	5.12 (130.0)	5.44 (138.2)	12 (5.4)

\*\* All dimensions +/-0.125 (3.2 mm) tolerance. Dimensions are subject to change. Not to be used for construction purposes unless certified.

# BALANCE VALVES Circuit Sentry™ Flo-Setter™ II

## Description

The Circuit Sentry Flo-Setter II valve is a field adjustable pressure independent flow limiter that maintains set flow rates regardless of pressure fluctuations in the system; eliminates overflow.

- The unique **GPM dial** is easy to set.  
Requires no instruments, charts or wheels
- Saves pump energy and improves coil efficiency
- No minimum straight pipe lengths required
- Integrated pressure /temperature ports included
- Large open flow paths for clog-free operation
- Integrated isolation/shut-off capability

## Materials of Construction

Body: Brass (1/2" - 1-1/4")

Ductile Iron (1-1/2" - 2")

Flow Setting: PA6 20% Glass

Spring: Stainless Steel

Diaphragm: HNBR

O-Rings: EPDM

## Maximum Working Pressure

375 PSIG (2585 kPa)

## Maximum Operating Temperature

14°F (-10°C) to 248°F (110°C)

## Control Range

Maximum 58 PSI (399 kPa) Delta P

## Accuracy

+/- 5%

## Model AF



## Model AF Specifications (includes union tailpiece)

Model Number	Valve Size Fixed End	Connection Fixed End	DIMENSIONS* IN INCHES (mm)						Flow Capacity in GPM (L/hr)		Approx. Weight lbs. (kg)
			B	C	D**	E**	G Max***	T Max***	Min.	Max.	
AF-1/2	1/2"	Sweat Female	5.6 (144)	3.4 (87)	2.24 (57)	1.12 (28)	5.6 (142)	1.55 (39)	0.26 (60)	4.75 (1,080)	1.2 (0.5)
		NPT Female	5.6 (144)	3.4 (87)	2.24 (57)	1.12 (28)	5.0 (127)	1.55 (39)	0.26 (60)	4.75 (1,080)	1.2 (0.5)
AF-3/4	3/4"	Sweat Female	5.6 (144)	3.4 (87)	2.24 (57)	1.12 (28)	6.3 (160)	1.55 (39)	0.45 (102)	8.50 (1,930)	1.5 (0.7)
		NPT Female	5.6 (144)	3.4 (87)	2.24 (57)	1.12 (28)	5.3 (135)	1.55 (39)	0.45 (102)	8.50 (1,930)	1.5 (0.7)
AF-1	1"	Sweat Female	6.8 (173)	4.3 (110)	2.54 (65)	1.27 (33)	7.6 (193)	2.00 (51)	0.60 (136)	10.56 (2,400)	3.1 (1.4)
		NPT Female	6.8 (173)	4.3 (110)	2.54 (65)	1.27 (33)	6.4 (163)	2.00 (51)	0.60 (136)	10.56 (2,400)	3.1 (1.4)
AF-1-1/4	1 1/4"	Sweat Female	7.0 (178)	4.3 (110)	2.54 (65)	1.27 (33)	7.9 (201)	2.00 (51)	0.88 (200)	22.01 (5,000)	3.6 (1.6)
		NPT Female	7.0 (178)	4.3 (110)	2.54 (65)	1.27 (33)	6.7 (170)	2.00 (51)	0.88 (200)	22.01 (5,000)	3.6 (1.6)
AF-1-1/2	1 1/2"	Sweat Female	7.9 (201)	5.1 (131)	3.60 (92)	1.8 (46)	10.6 (269)	2.52 (64)	3.17 (719)	32.58 (7,400)	7.6 (3.4)
		NPT Female	7.9 (201)	5.1 (131)	3.60 (92)	1.8 (46)	9.2 (234)	2.52 (64)	3.17 (719)	32.58 (7,400)	7.6 (3.4)
AF-2	2"	Sweat Female	8.1 (207)	5.1 (131)	3.6 (92)	1.80 (46)	11.7 (297)	3.14 (80)	3.96 (900)	45.57 (10,350)	8.7 (3.9)
		NPT Female	8.1 (207)	5.1 (131)	3.6 (92)	1.80 (46)	9.7 (246)	3.14 (80)	3.96 (900)	45.57 (10,350)	8.7 (3.9)

\*All dimensions +/- 0.125" (3.2 mm) tolerance. Dimensions are subject to change. Not to be used for construction purposes unless certified.

\*\*Dimension is of maximum width of the handle or body, whichever is greater.

\*\*\*Includes tailpiece. Measurement of maximum length tailpiece available.

For minimum differential requirements please refer to submittal A-611 on our website. Maximum differential pressure is 58 PSID.

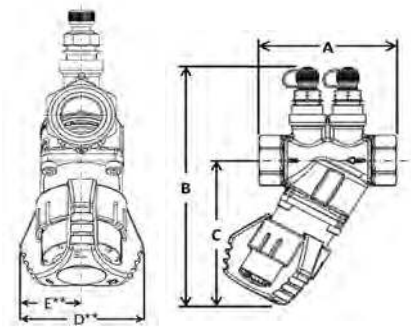
Minimum temperature is 14°F (-10°C) to 248°F (120°C). Maximum operating pressure is 375 PSI.

**NOTE: Model AF valves are configured valves and therefore have no part numbers. They include union tail pieces and can be selected to include optional ball isolation/shut-off valve.**

## New GPM dial

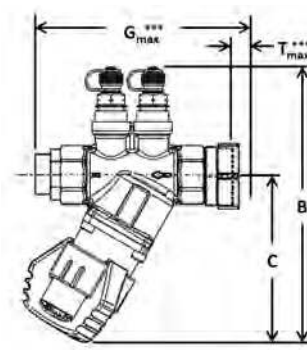


## Circuit Sentry Flo-Setter II



## Circuit Sentry Flo-Setter II Specifications

Model Number	Part Number	Size	Connection Type	DIMENSIONS* IN INCHES (mm)					Flow Capacity in GPM (L/hr)		Approx. Weight lbs. (kg)
				A	B	C	D**	E**	Min.	Max.	
FS-1/2	117630	1/2"	NPT Female	2.9 (75)	5.6 (144)	3.4 (87)	2.24 (57)	1.12 (28)	0.26 (60)	4.75 (1,080)	1.1 (0.5)
FS-3/4	117632	3/4"	NPT Female	3.1 (79)	5.6 (144)	3.4 (87)	2.24 (57)	1.12 (28)	0.45 (102)	8.50 (1,930)	1.3 (0.6)
FS-1	117643	1"	NPT Female	3.9 (100)	6.8 (173)	4.3 (110)	2.54 (65)	1.27 (33)	0.60 (136)	10.56 (2,400)	2.8 (1.3)
FS-1-1/4	117636	1 1/4"	NPT Female	4.0 (104)	7.0 (178)	4.3 (110)	2.54 (65)	1.27 (33)	0.88 (200)	22.01 (5,000)	3.1 (1.4)
FS-1-1/2	117637	1 1/2"	NPT Female	5.4 (138)	7.9 (201)	5.1 (131)	3.60 (92)	1.80 (46)	3.17 (719)	32.58 (7,400)	6.6 (3.0)
FS-2	117638	2"	NPT Female	5.4 (138)	8.1 (207)	5.1 (131)	3.60 (92)	1.8 (46)	3.96 (900)	45.57 (10,350)	7.5 (3.4)



# VALVES Flo-Control™ Valves

## Description

Flo-Control valves prevent gravity flow in forced hot water systems, and permit summer/winter operation of indirect water heaters.

## Features

- Combination straight/angle configurations in sizes 3/4" to 2" for ease of installation.
- Removable cap allows easy cleaning and service without removing pipe connections.
- Manual operating position for vertical lift disc to permit gravity circulation.

## Operating Data

Maximum Working Pressure: 125 PSIG (862 kPa)  
Maximum Operating Temperature: 250°F (121°C)



Angle Pattern  
2-1/2", 3"



Straight-Angle Pattern  
3/4", 1", 1-1/4", 1-1/2", 2"



Bronze Straight  
Pattern 3/4"

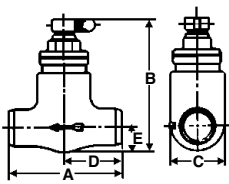


Straight Pattern  
2-1/2", 3", 4"

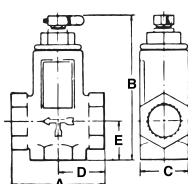
## Specifications

Model Number	Part Number	Dimension in Inches (mm)					Approx Shpg. Wt. lbs. (Kg)
		A	B	C	D	E	
SA 3/4	107034	3 1/8 (79)	4 15/16 (125)	1 5/8 (41)	1 9/16 (40)	1 7/16 (37)	2 (0.9)
SA 1	107018	3 1/2 (89)	5 1/2 (140)	1 7/8 (48)	1 3/4 (44)	1 1/2 (38)	3 (1.4)
SA 1 1/4	107019	4 (102)	6 1/2 (165)	2 1/4 (57)	1 31/32 (50)	1 7/8 (48)	4 (1.8)
SA 1 1/2	107020	5 (127)	7 1/4 (184)	3 (76)	2 1/2 (64)	2 1/4 (57)	8 (3.6)
SA 2	107021	6 7/8 (175)	7 1/2 (191)	4 5/8 (117)	4 (102)	2 5/8 (67)	12 (5.5)
A 2 1/2	107006	7 1/4 (184)	7 5/8 (194)	5 3/8 (137)	4 1/2 (114)	4 1/8 (105)	20 (9.1)
A 3	107007	7 1/2 (191)	7 3/4 (197)	6 (152)	4 1/2 (114)	4 1/4 (108)	23 (10.5)
S 2 1/2	107014	9 5/16 (237)	8 11/16 (221)	5 3/8 (137)	4 3/4 (121)	2 11/16 (68)	22 (10.0)
S 3	107015	9 15/16 (252)	9 (229)	6 (152)	5 1/4 (133)	3 (76)	24 (10.9)
S 4	107004	13 (330)	12 1/2 (318)	7 3/4 (197)	7 (178)	3 7/8 (98)	58 (26.4)
SB 3/4	107024	3 1/4 (83)	3 7/8 (98)	1 7/16 (37)	1 5/8 (41)	23/32 (18)	1.2 (0.6)

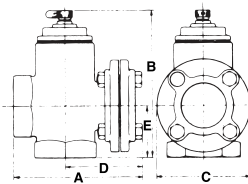
Dimensions are approximate and subject to change. Contact factory for certified dimensions.



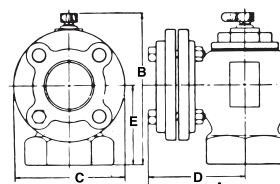
Sizes 3/4"  
Bronze Straight Valve



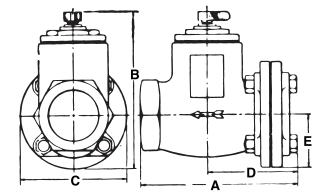
Sizes 3/4", 1", 1-1/4", 1-1/2"  
Straight Angle Valves



Sizes 2"  
Straight Angle Valves



Sizes 2-1/2", 3"  
Angle Valves



Sizes 2-1/2", 3", 4"  
Straight Valves

# VALVES Hydrotol™ Flow Control Valves

## Description

The Hydrotol (HT) flow control valve is used to prevent overheating of zones due to gravity flow in hydronic heating systems and will permit summer-winter operation of indirect water heater. The HT valve allows fluid to pass when the system or zone pumps start. When the system or zone pumps are not operating, the HT valve remains closed, preventing gravity circulation. The HT valves are designed with a 1/2 turn knob that can be manually opened when draining the system or for bypass purposes. The HT valve can be installed in either the horizontal or vertical orientation.

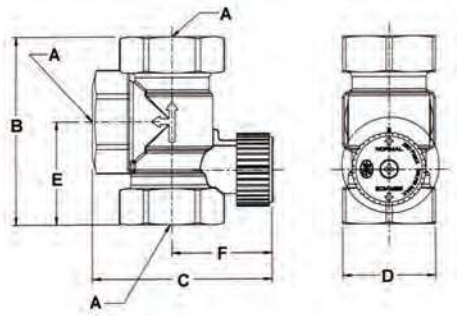


## Operating Data

Maximum Working Pressure: 150 PSI (10 bar)  
 Maximum Operating Temperature: 250°F (121°C)

## Materials of Construction

Body: Brass  
 Internal Components: Non-Ferrous



## Specifications

Model Number	Part Number	Dimensions — Inches (mm)						Approx. Shpg. Wt. lbs. (Kg)
		A	B	C	D	E	F	
HT-3/4	107035	3/4" NPTF	3-3/16" (82)	3" (76)	1-9/16" (40)	1-3/4" (44)	1-11/16" (43)	1.3 lbs. (0.6)
HT-1	107037	1" NPTF	3-5/8" (93)	3-3/16" (82)	1-9/16" (40)	1-15/16" (50)	1-11/16" (43)	1.2 lbs. (0.5)
HT - 1-1/4	107038	1-1/4" NPTF	4" (101)	3-11/16" (93)	1-11/16" (43)	2-1/4" (57)	1-7/8" (48)	1.8 lbs. (0.8)

Do not use for construction. Dimensions are approximate and subject to change. Contact factory for certified dimensions.

# VALVES DB-Differential Bypass Valve

## Description

The differential bypass valve is used in systems where heating loads may be excluded from the circuit as zone valves close. It controls the excess flow in the system by acting as a bypass while ensuring adequate flow to the remaining open circuits. The differential bypass valve helps reduce velocity noise caused by excess flow through the circuits while maintaining the pump head at a constant value.

For hydronic systems utilizing zone valve

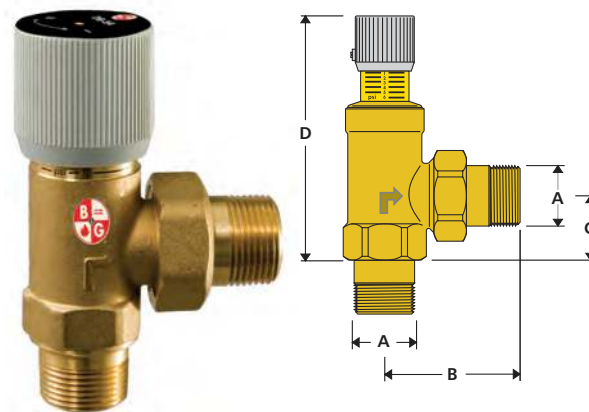
- Controls excess flow in the system when there is reduction in demand
- Available in 3/4" connection
- All brass body with non-ferrous internals

## Operating Data

Maximum Working Pressure: 150 PSIG (1,034 kPa)  
 Maximum Operating Temperature: 230°F (110 °C)  
 Adjustment Range: 2 to 10 PSI

## Materials of Construction

Valve Body: Brass  
 Seals: EPDM  
 Spring: Stainless Steel  
 Knob: ABS



## Specifications

Model Number	Part Number	A (mm)	B (mm)	C (mm)	D (mm)	Connection Type	Weight (LB)
DB-3/4	113247	3/4" (19)	2-5/16" (59)	1" (26)	4" (104)	M NPT	1

# VALVES Pressure Reducing Valves

## Description

Reducing valves fill the system to a preset pressure for optimum performance.

## Features

- Fast fill feature reduces start-up time and labor.
- Low inlet pressure check valve helps prevent loss of system pressure if the supply water drops below system pressure.
- Convenient cleanable strainer is designed to prevent dirt and sediment from entering the system.
- Union connection available with 1/2" male NPT thread and 1/2" female sweat tail-piece for fast, flexible system connection.
- Lead-Free brass body construction is ideal for potable water systems.



## Specifications for Combination "Dual Units"

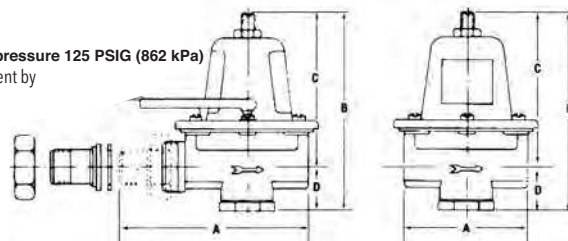
Model Number	Part Number	Component Valves	Body Material	Connection in Inches		Dimensions in Inches (mm)		Approx. Shpg. Wt. lbs. (Kg)
				Boiler	Fill	Between Connections	Overall Height	
8	110199LF	Relief B-38	Lead-Free Brass	1/2 NPT	1/2 NPT	6 7/16 (164)	5 3/8 (137)	4 (1.8)
F-3	110197LF	Relief FB-38			1/2 NPT	6 7/16 (164)	6 (152)	3 3/4 (1.7)
F-3TU	110198LF	Relief FB-38TU			1/2 Union NPT/Sweat	8 5/8 (219)		4 (1.8)

PRESSURE SETTING:

Relief 30 PSI  
Reducing 12 PSI standard; field adjustable range: 10 - 25 PSI  
**Maximum operating temperature 225°F (107°C) - Maximum operating pressure 125 PSIG (862 kPa)**

\*CSA certified to NSF/ANSI 372 that product contains less than 0.25% lead content by weight on wetted surface.

Models ending in TU feature 1/2" sweat/NPT union connection.



## Specifications for Pressure Reducing Valve

Model Number	Part Number	Body Material	Connection Size - Inches		Factory Setting (PSIG)	Adjustable Range (PSIG)	Dimensions in Inches (mm)				Approx. Shpg. Wt. lbs. (Kg)
							A	B	C	D	
B-38	110190LF	Lead-Free Brass	1/2	NPT	12	10 - 25	3 1/16 (78)	4 13/16 (122)	3 11/16 (94)	1 1/8 (29)	1 3/4 (0.8)
B7-12	110196LF		3/4	NPT			3 (76)	4 31/32 (126)	3 21/32 (93)	1 5/16 (33)	2 1/4 (1.0)
B-38TU	110191LF		1/2	Union*			4 31/32 (126)	4 13/16 (122)	3 11/16 (94)	1 1/8 (29)	2 (0.9)
FB-38	110192LF		1/2	NPT			3 1/16 (78)				1 3/4 (0.8)
FB-38TU	110193LF		1/2	Union*			4 31/32 (126)				2 (0.9)
6	110194LF		1/2	NPT			45	25 - 60	3 1/16 (78)	4 31/32 (126)	3 21/32 (93)
7	110195LF	3/4	NPT	3 (76)	2 1/4 (1.0)						

\* Models ending in "TU" feature 1/2" sweat/NPT union connection

# ASME Safety Relief Valves

## Description

ASME Safety Relief Valves protect fired and unfired hot water vessels against hazardous operating pressures.

## Features

- Engineered in accordance with Section IV of the ASME boiler and pressure code for heating boilers with capacities certified by the National Board of Boiler and Pressure Vessel Inspectors.
- Offer the highest BTUH ratings available on the market today for valves in their class (790,000 to 5,999,000 BTUH)
- EPDM diaphragm operated (cast iron models) and diaphragm assisted (bronze models) have an effective area approximately 5 times greater than conventional "pop-type" relief valves to help overcome the effects of fouling.
- Low differential between opening and closing pressures helps to prevent conditions under which system water might flash to steam and cause hammering.

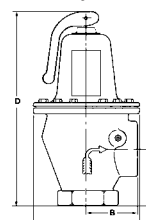


Nos. 3301 & 4100

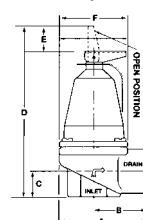


Nos. 790 & 1170

Models 3301 & 4100 Iron Body Valves



Models 790 & 1170 Bronze Body Valves



Size, Capacity & Relief Setting for B&G ASME Safety Relief Valves <sup>1</sup>				
Relief Setting PSIG	Model Number Capacity in BTU Per Hour			
	Iron Body		Bronze Body	
30	3301-30	4100-30	790-30	1170-30
	3,300,000	4,100,000	790,000	1,170,000
36	3301-36	4100-36	790-36	1170-36
	3,800,000	4,600,000	900,000	1,330,000
45	3301-45	4100-45	790-45	1170-45
	4,500,000	5,515,000	1,065,000	1,575,000
50	3301-50	4100-50	790-50	1170-50
	4,900,000	5,990,000	1,160,000	1,710,000
75	NOT AVAILABLE		790-75	1170-75
			1,615,000	2,385,000
100	NOT AVAILABLE		790-100	1170-100
			2,075,000	3,060,000
125	NOT AVAILABLE		790-125	1170-125
			2,535,000	3,735,000

<sup>1</sup> Contact your local wholesaler or Bell & Gossett representative for availability of ASME Safety Relief Valves with special pressure settings.

## Specifications

Model Number	Body	NPT Connections in Inches		Dimension in Inches (mm)						Approx Shpg. Wt. lbs. (Kg)
		Inlet	Outlet	A	B	C	D	E	F	
790	Bronze	3/4	3/4	2 9/16 (65)	1 1/2 (38)	3/4 (19)	4 9/16 (116)	1 1/32 (26)	2 3/32 (53)	1.2 (0.5)
1170		1	1	2 7/8 (73)	1 3/4 (44)	7/8 (22)	4 15/16 (125)		2 1/4 (57)	1.5 (0.7)
3301	Iron	1 1/2								
4100		2	2	6 (152)	2 7/8 (73)	3 1/4 (83)	11 (279)	N/A		17 (7.7)

Actual unit model numbers include individual valve pressure settings as a suffix to the basic valve model number noted. Dimensions are approximate and subject to change. Contact factory for certified dimensions.

Maximum Operating Temperature: 250°F (121°C) - Maximum Working Pressure: Model 790 & 1170: 125PSIG (862KPa); Model 3301 & 4100: 50 PSIG (345 KPa).



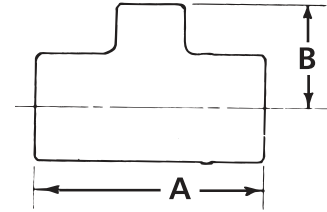
# ACCESSORIES Copper Red Ring Monoflo® Fittings

## Description

Copper Red Ring Monoflo Fittings let you use a single pipe to serve as both supply and return main.

## Features

- Connect risers to the main, assuring proper diversion of water to each heating unit regardless of type and its position in the system.
- Recommended for most installations including cast iron non-ferrous base boards, free-standing radiation or convectors.
- Only one fitting is needed for most installations for adequate diversion for upfeed radiation. For most applications, a second fitting can be used if higher resistance is required.



## Operating Data

Maximum Working Pressure: 150 PSIG (1,034 kPa)  
Maximum Operating Temperature: 300°F (149°C)

## Specifications

Part Number	Size Inches	Dimensions-Inches (mm)*		Cv Ratings**		Approx. Shpg. Wt. lbs. (Kg)
		A	B	1 FTG	2 FTG	
108119	3/4 x 1/2***	2-7/32 (56)	1 (25)	4.2	—	1/4 (0.1)
108120	1 x 1/2	2-9/16 (65)	1-5/32 (30)	14.5	8.7	1/2 (0.2)
108121	1 x 3/4	2-3/4 (70)	1-3/8 (35)			
108122	1-1/4 x 1/2	2-3/4 (70)	1-7/32 (31)	24.0	15.5	
108123	1-1/4 x 3/4	2-27/32 (72)	1-3/8 (35)	39.0	25.0	1-1/4 (0.6)
108124	1-1/2 x 3/4	3-3/32 (78)	1-11/16 (42)			
108125	1-1/2 x 1	3-3/8 (86)	1-11/16 (42)	80.0	55.0	1-3/4 (0.8)
108126	2 x 3/4	3-1/2 (89)	1-27/32 (47)			
108127	2 x 1	3-13/16 (97)	2-1/32 (52)			

\* Do not use for construction. Dimensions are approximate and subject to change. Contact factory for certified dimensions.

\*\* With Side Branch plugged.

\*\*\* Return only.

# AIR SEPARATORS In-Line Air Separator

## Description

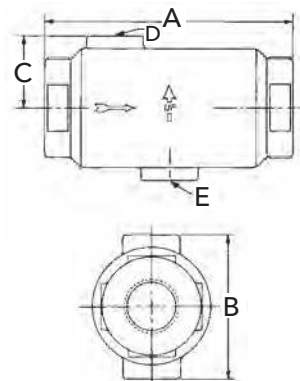
The B&G In-Line Air Separator is specifically designed to efficiently separate air from circulating water in hydronic heating and cooling systems to assure a quiet operation.

## Operating Data

Maximum Working Pressure: 175 PSIG (1,207 kPa)  
Maximum Operating Temperature: 300°F (149°C)

## Materials of Construction

One Piece Cast Iron



## Specifications

Model Number	Part Number	Size NPT	Max Flow (GPM)	Dimensions – Inches (mm)					Approx. Shpg. Wt. (Lbs)
				A	B	C	D	E	
IAS -1	112118	1"	15	6-1/8	3-1/2	1-3/4	1/8 NPT		3-3/4
IAS - 1-1/4	112119	1-1/4"	25	(156)	(89)	(45)			3-1/2
IAS - 1-1/2	112097	1-1/2"	35	8-1/8	4-1/2	2-1/4	3/4 NPT	1/2 NPT	8-1/2
IAS - 2	112098	2"	50	(207)	(114)	(57)			7-1/2
IAS - 2-1/2	112099	2-1/2"	75	10-1/8	6-3/8	3-3/16			23
IAS - 3	112100	3"	125	(257)	(257)	(81)			21-1/2

Dimensions are approximate and subject to change. Contact factory for certified dimensions.

# AIR SEPARATORS EASB-Jr Enhanced Air Separator

## Description

Bell & Gossett's Model EASB-JR Enhanced Air Separator automatically removes entrained air bubbles in hydronic systems. As fluid enters the EASB-JR, the velocity is decreased creating a low pressure area. The small bubbles are released from fluid and then collected on the coalescing medium. As the bubbles coalesce, they rise to the top of the air separator where they are released to atmosphere through the built-in automatic air vent. The air separator has a bottom 1/2" NPT connection to accommodate a B&G diaphragm expansion tank. The compact design and brass body construction make the EASB-JR ideal for residential and commercial hydronic heating systems.

## Operating Data

Maximum Working Pressure: 150 PSI (10 bar)  
Maximum Operating Temperature: 250°F (121°C)

## Materials of Construction

Body & Cap: Brass  
Coalescing Medium: Stainless Steel  
Venting Mechanism: Non-Ferrous

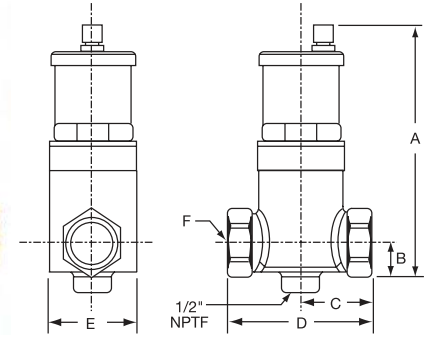
## Specifications

Model Number	Part Number	Size	Dimension in Inches (mm)						Approx. Shpg. Wt. Lbs. (Kg)
			A	B	C	D	E	F	
EASB-3/4 JR	112111	3/4" NPT	67/8 (175)	15/8 (41)	113/16 (46)	35/8 (92)	21/4 (57)	3/4" NPTF	2.5 (1)
EASB-3/4S JR	112114	3/4" Sweat	67/8 (175)	15/8 (41)	113/16 (46)	35/8 (92)	21/4 (57)	3/4" Sweat	2.5 (1)
EASB-1 JR	112112	1" NPT	67/8 (175)	15/8 (41)	113/16 (46)	35/8 (92)	21/4 (57)	1" NPTF	2.5 (1)
EASB-1S JR	112115	1" Sweat	67/8 (175)	15/8 (41)	113/16 (46)	35/8 (92)	21/4 (57)	1" Sweat	2.5 (1)
EASB-11/4 JR	112113	11/4" NPT	71/2 (191)	17/8 (48)	25/16 (59)	45/8 (117)	31/8 (79)	11/4" NPTF	4 (1.8)
EASB-11/4S JR	112116	11/4" Sweat	71/2 (191)	17/8 (48)	25/16 (59)	45/8 (117)	31/8 (79)	11/4" Sweat	4 (1.8)
EASB-11/2 JR	112117	11/2" NPT	71/2 (191)	17/8 (48)	25/16 (59)	45/8 (117)	31/8 (79)	11/2" NPTF	4 (1.8)
EASB-2 JR	112464	2" NPT	71/2 (191)	2 (51)	21/2 (64)	5 (127)	31/8 (79)	2" NPTF	5 (2.3)

Dimensions are approximate and subject to change. Contact factory for certified dimensions.



## Dimensions & Weights



# Enhanced Air Separator

## Description

Bell & Gossett's Model EAS Enhanced Air Separator is a patented, innovative design in air separators. It has been engineered to remove entrained air from hydronic heating and cooling systems providing far superior air removal compared with other devices available today. The EAS is ideal for residential, institutional and light commercial applications.

## Specifications

Model Number	Part Number	Max. Flow (GPM)	Size Inches NPT	Dimensions — inches (mm)					Approx. Shpg. Wt. Lbs. (Kg)
				A	B	C	D	E	
EAS-1	112105	35	1	12-3/16 (310)	6-7/8 (175)	6-7/16 (164)	3-15/16 (100)	3 (76)	8.8 (4)
EAS-1	112106	35	1-1/4	12-3/16 (310)	6-7/8 (175)	6-7/16 (164)	3-15/16 (100)	3 (76)	8.4 (3.8)
EAS-1	112107	45	1-1/2	15-3/4 (400)	11-3/8 (289)	8-5/8 (219)	4-7/8 (124)	4-1/4 (108)	15.5 (7)
EAS-2	112108	70	2	17-1/2 (445)	11-3/8 (289)	8-5/8 (219)	4-7/8 (124)	4-1/4 (108)	15.25 (6.9)

EAS-1 or EAS- 1-1/4 Max. Width 4-1/16" (103mm)

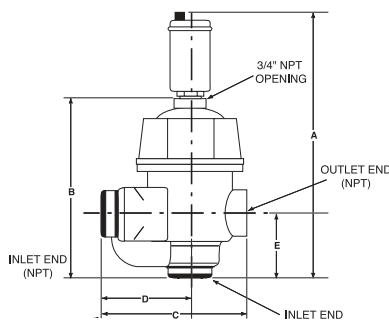
EAS- 1-1/2 or EAS-2 Max. Width 5-3/4" (146mm)

## Operating Data

Maximum Working Pressure: 150 PSI (10.3 bar)  
Maximum Operating Temperature: 250°F (121°C)

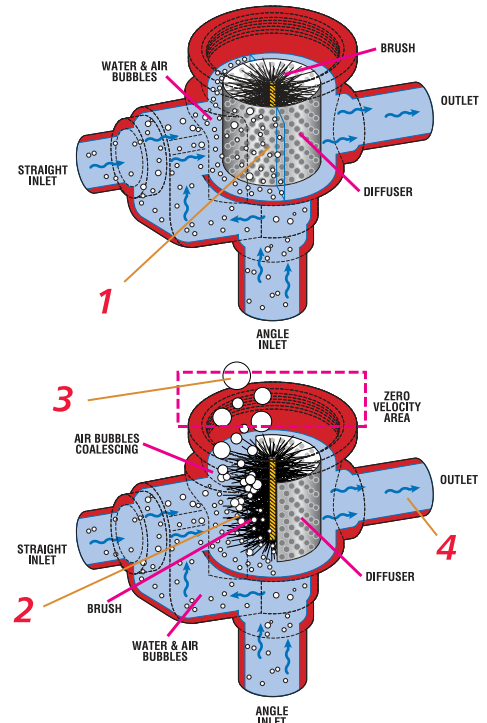
## Materials of Construction

Body & Cap: Cast Iron  
Internals: Stainless Steel  
3/4" Large Capacity Air Vent: Brass Body Nonferrous Internals



## How It Works

- As system fluid enters through the inlet, (either straight or angle) the diffuser distributes flow evenly across the stainless steel, wire brush-like medium.
- Air bubbles, even micro air bubbles, stick to the brush filaments.
- Trapped air rises above the diffuser through a baffle (not pictured), where the air is then released through an opening on top.
- Deaerated water then goes back into the system.



# HYDRONIC SPECIALTIES

## RV-125A Readout Valve and RP-250B Readout Probe

The RV-125A is designed for use wherever pressure tapings are required to monitor flow or pressures. The Readout Valve is fitted with an EPT insert which incorporates a unique check valve feature designed to check flow when the Readout Valve is not being used to monitor flow. Use companion RP-250B Readout Probes with the RV-125A Readout Valve. **300 PSIG Working Pressure – 250°F Maximum Operating Temperature**



## TB- Thermoflo® Balancer

A device for instant visual balancing of hot or cold water flows. With a B&G Thermoflo balancer installed in each circuit or zone, the entire system can be quickly balanced to meet original design calculation. No. TB-3/4"- Capacity 1 to 5 GPM. No. TB-1"- Capacity 2 to 10 GPM. **125 PSIG Working Pressure – 250°F Maximum Operating Temperature**



## DT-2 Drain-O-Tank® Air Charger

The Drain-O-Tank Air Charger offers a sure, quick way to recharge a water-logged compression tank. **125 PSIG Working Pressure – 240°F Maximum Operating Temperature**



# AIR VENTS

## Model No. 107A High Capacity Air Vent

A rugged High Capacity Air Vent designed to purge free air from liquid systems at **operating pressures up to 150 PSIG**. The Model 107A Air Vent has a cast iron body and bonnet, with stainless steel, brass and EPDM internal components and is suitable for a **maximum operating temperature of 250°F**. The Air Vent has a 3/4" NPT inlet and 3/8" NPT outlet.



## No. 97 Automatic Air Vent

A float type vent designed to vent troublesome air from hydronic heating systems. The brass body and the non-ferrous internals provide years of reliable service. The compact design (3-1/8" x 1-7/8") and high operating pressure/temperature (**240°F @ 150 PSIG**) limitations make the No. 97 a must in any hydronic heating system.



## No. 26 Vacuum Breaker

Designed to protect closed vessels and piping systems against collapse when the induced vacuum exceeds design conditions. When used on steam heating systems, the No. 26 Vacuum Breaker controls induced vacuum, permitting normal return of condensate to the boiler. Adjustable range 1/4" to 20" (mercury) vacuum. Factory set to 4" – **240 PSIG Maximum Working Pressure – 300°F Maximum Operating Temperature**



## No. 98

A high capacity automatic air vent that is designed to remove air in closed loop systems. Materials of construction: Brass body with non-ferrous internals. **Maximum Working Pressure: 150 PSI. Maximum Operating Temperature: 250°F**



## No. 87, 67 and 7 Automatic Air Vents

Designed to vent the accumulation of troublesome air wherever it can be trapped. These non-ferrous automatic air vents are 4-3/4" x 2-1/4", 3-3/16" x 1-1/2" and 4-1/16" x 2-3/16" (height and width), respectively, and are rated for a **maximum operating temperature of 240°F at pressures of 150, 35 and 75 PSI, respectively**. The No. 87 has a combination of 1/2" FPT/3/4" MPT connection, whereas No's. 67 and 7 have 1/8" MPT, and FPT connections.



## No. 4V "Coin-Operated" Air Vent

Specially designed for the new types of radiators. An important feature is that it projects only slightly, being almost flush with the radiator. **150 PSIG Working Pressure – 250°F Maximum Operating Temperature**



## Specifications

Model Number	Part Number	Description	System Connection	Dimensions (W x H)	Maximum		Approx. Shpg. Wt. (Lbs) Carton Of	
					Pressure	Temperature		
98	113246	Automatic Air Vent	1/2" NPTF	4-1/2" x 9-5/8"	150 PSIG	250°F	1	.8
97	113222		1/8" NPTM	1-7/8" x 3-1/8"			1	.8
87	113021		Combination	2-1/4" x 4-3/4"	1	.61		
67	113020		3/4" NPTM 1/2" NPTF	1-1/8" x 3-3/16"			35 PSIG	.25
7	113001		1/8" NPTF	2-3/16" x 4-1/16"			75 PSIG	.5
107A	113076	High Capacity Air Vent	3/4" NPTF	4-1/2" x 9-5/8"	150 PSIG	250°F	1	10
4V	113055	Manual Air Vent	1/8" NPTM	5/8" x 5/8"	150 PSIG	250°F	48	2
26	113075	Vacuum Breaker	3/4" NPTM	1-1/4" x 3"	240 PSIG	300°F	6	3
RV-125A	113100	Readout Valve	1/8" NPTM	1-1/8" x 9/16"	300 PSIG	250°F	50 pairs	4
1/4" P/T	V58050PK	Readout Valve	1/4" NPTM	1-1/4" x 1-1/4"	300 PSIG	250°F	1	.1
1/8" P/T	G97030	Readout Valve	1/8" NPTM	1-1/8" x 1-1/4"	300 PSIG	240°F	1	.5
RP-250B	113102	Readout Probe	N/A	2" x 5/8"	300 PSIG	250°F	6 pairs	1
DT-2	113041	Drain-O-Tank	1/2" NPTM	2-1/4" x 6-5/16"	125 PSIG	240°F	1	.67
TB-3/4	127001	Balance Valve	3/4" NPTF	2" x 9-1/4"	125 PSIG	250°F	6	26
TB-1	127002	Balance Valve	1" NPTF	2" x 9-1/4"	125 PSIG	250°F	6	26

# ACCESSORIES PSH - Primary/Secondary Header

## Description

The B&G low-loss header, Model PSH, is a combination air separator and manifold that creates independent primary and secondary circuits. The B&G Model PSH is equipped with a purge valve allowing the user to remove any debris deposited on the bottom of the vessel and an air vent releasing trapped air in the system. The insulation, which is provided as standard, prevents water vapors entering from the outside and eliminates the formation of condensate on the PSH body.

## Operating Data

### With Insulation:

Working Pressure: 150 PSI  
 Operating Temperature Threaded: 32°- 210°F  
 Operating Temperature Flanged: 32°- 220°F

### Without Insulation:

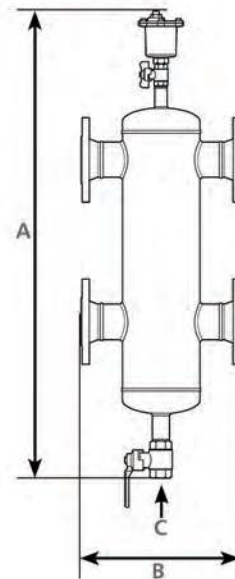
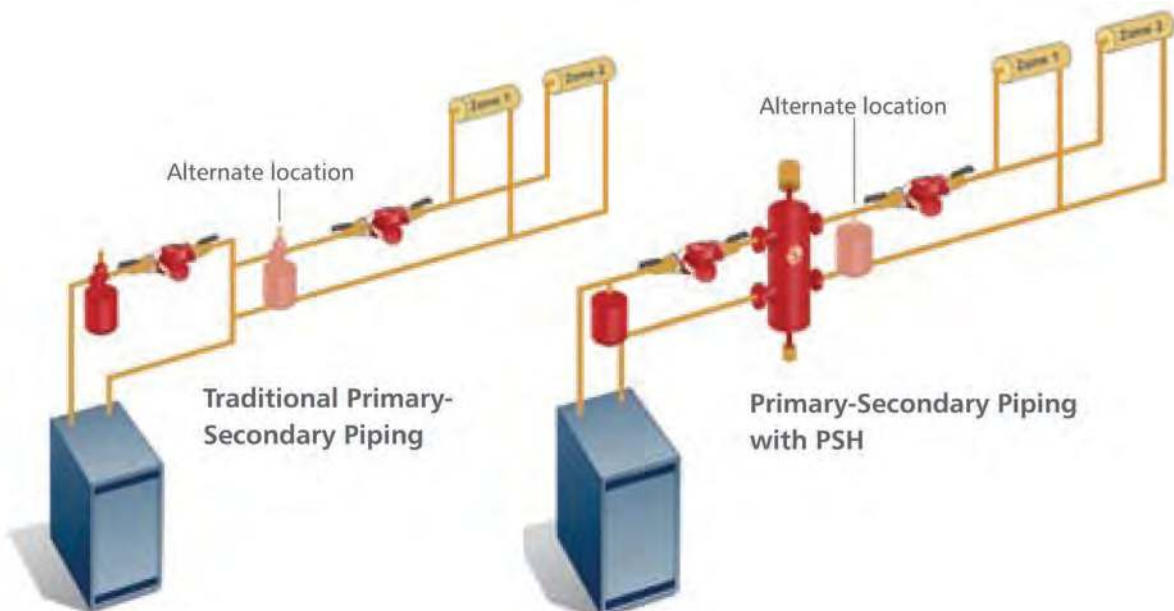
Working Pressure: 150 PSI  
 Operating Temperature Threaded & Flanged: 32°-230°F

## Materials of Construction

Body: Steel  
 Air Vent: Brass  
 Drain Valve: Brass  
 Insulation-Threaded: PEX  
 Insulation-Flanged: Polyurethane Foam

## Connection

1", 1-1/4" and 1-1/2" Female NPT  
 2", 2-1/2", 3" and 4" ANSI 150 CLASS Flange



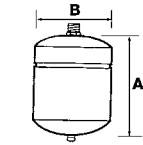
## Specifications

Model Number	Part Number	Connection Size Inches (mm)	Max Flow GPM (m3/h)	A Inches (mm)	B Inches (mm)	C - Drain Connection Size Inches (mm) NPT	Weight LBS (Kg)
PSH-1	112465	1 (25.4)	11 (2.5)	24-3/8 (619)	8-7/8 (225)	1/2 (12.7)	6.0 (2.7)
PSH-1.25	112466	1-1/4 (31.75)	18 (4)	26-3/4 (679)	9-3/4 (248)	1/2 (12.7)	8.3 (3.8)
PSH-1.5	112467	1-1/2 (38.1)	26 (6)	28-1/3 (719)	11-1/8 (282)	1/2 (12.7)	12.6 (5.7)
PSH-2	112468	2 (50.8)	40 (9)	42 (1069)	13-13/16 (350)	1-1/4(31.7)	78.7 (35.7)
PSH-2.5	112469	2-1/2 (63.5)	80 (18)	42 (1069)	13-13/16 (350)	1-1/4(31.7)	87.7 (39.8)
PSH-3	112470	3 (76.2)	124 (28)	50-3/8 (1279)	18-3/8 (466)	1-1/4(31.7)	108.0 (49)
PSH-4	112471	4 (101.6)	247 (56)	50-3/8 (1279)	18-1/2 (470)	1-1/4(31.7)	116.8 (53)

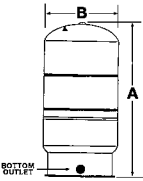
# TANKS HFT Diaphragm Tanks • Expansion Tanks for Hydronic Heating

## Description

Bell & Gossett HFT expansion tanks are designed to absorb the force of thermal expansion in hydronic heating systems. Series HFT tanks for hydronic heating systems are available in sizes from 2–86 gallons. The Series HFT tank is designed to absorb the force of thermal expansion of heating water to maintain proper pressurization in a closed hydronic system. The heavy duty butyl diaphragm separates system water from the air in the tank preventing water logging problems.



HFT-15 thru HFT-90



HFT-30V thru HFT-160V

## Specifications

Model Number	Part Number	Volume Gallons (Liters)		Height (A) Inches (mm)	Diameter (B) Inches (mm)	System Connection	Approx. Shpg. Wt. lbs. (Kg)
		Tank	Acceptance				
HFT-15	1BN326	2 (7.5)	1.0 (3.7)	12-5/8 (321)	8 (203)	1/2" NPTM	5 (2.3)
HFT-30	1BN327	4.4 (16.6)	2.5 (9.4)	14 (355)	11 (279)		9 (4.1)
HFT-60	1BN328	7.6 (28.7)	2.5 (9.4)	17-1/4 (438)	11 (279)		14 (6.4)
HFT-90	1BN329	14 (53)	11.3 (42.8)	21 (533)	15-3/8 (390)	1" NPTF	23 (10.4)
HFT-30V	1BN330	14 (53)	11.3 (42.8)	24-3/4 (629)	15-3/8 (390)		24 (11)
HFT-40V	1BN331	20 (75.7)	11.3 (42.8)	32-1/2 (826)	15-5/8 (390)		34 (15.5)
HFT-60V	1BN332	32 (121.1)	11.3 (42.8)	47-1/2 (1207)	15-5/8 (390)	1-1/4" NPTF	52 (23.6)
HFT-90V	1BN333	44 (166.5)	34 (128.7)	36-1/2 (927)	22 (559)		64 (29)
HFT-110V	1BN334	62 (234.6)	34 (128.7)	48-1/2 (1232)	22 (559)		89 (40.5)
HFT-160V	1BN335	86 (325.5)	46 (174.1)	46 (1168)	22 (559)	116 (53)	

## Operating Data

Maximum Working Pressure: 100 PSI (689 kPa)  
 Maximum Operating Temperature: 240°F (115°C)  
 Standard Factory Pre-charge: 12 PSI (83 kPa)

## Materials of Construction

Shell: Carbon Steel  
 Diaphragm: Heavy Duty Butyl Rubber  
 Connection: Steel



## Sizing Guideline

Boiler Size	Type of Radiation			
	Finned Tube Baseboard or Radiant Panel	Convectors or Unit Heaters	Radiators Cast Iron	Baseboard Cast Iron
Net Output				
BTU/HR	Use Tank Model			
25,000	HFT-15	HFT-15	HFT-15	HFT-15
50,000	HFT-15	HFT-15	HFT-30	HFT-30
75,000	HFT-30	HFT-30	HFT-30	HFT-60
100,000	HFT-30	HFT-60	HFT-60	HFT-60
125,000	HFT-30	HFT-60	HFT-60	HFT-90
150,000	HFT-30	HFT-60	HFT-90	HFT-90
200,000	HFT-60	HFT-60	HFT-30V	HFT-30V
250,000	HFT-60	HFT-90	HFT-30V	HFT-40V
300,000	HFT-90	HFT-30V	HFT-30V	HFT-40V
350,000	HFT-30V	HFT-30V	HFT-40V	HFT-60V
400,000	HFT-30V	HFT-40V	HFT-40V	HFT-60V

Assumptions: fill pressure 12 PSI, relief pressure 30 PSI, avg. system temp. 200°F, system fluid is water, consult factory with requirements not shown

## Compression Tanks

Air-tight, ASME constructed. Available in painted steel. Sizes 15 to 505 gallons. Gauge glass tapplings are standard. Always use with B&G Airtrol Tank Fittings.



## Airtrol® Tank Fittings

Directs free air to the compression tank. Restricts thermal circulation to boiler. Establishes initial tank air level. Allows compression tank size reduction.

ATFL



ATF



## Specifications

Model Number	Part Number	Capacity Gallons	Required Airtrol Fitting	Tank Dia. Inches	Tank Length Inches	Approx. Shpg. Wt. (Lbs)
15	116029	15	ATF-12	12	33	50
24	116030	24			51	72
30	116031	30			48	80
40	116032	40			63	104
60	116033	60	ATF-16	16	72	134
80	116034	80	ATF-20	20	62	160
100	116035	100	ATF-20		78	186
120	116036	120	ATF-24		65	217
135	116037	135			72	230
175	116038	175	ATFL	30	62-1/4	320
220	116039	220			77	370
240	116040	240			84	420
305	116041	305			105-3/4	482
400	116042	400			93	656
505	116840	505			116	745

## Specifications

Model Number	Part Number	Tank Dia. Inches	Connection (NPT)		Approx. Shpg. Wt. (Lbs)
			Tank	Boiler	
ATF-9	112008	9	1/2" M	3/4" M	2-1/4
ATF-12	112010	12 - 14			2-1/2
ATF-16	112011	16 - 18			2-3/4
ATF-20	112026	20 - 22			
ATF-24	112013	24	1" F	1" F	14
ATFL*	112014	>100 gal			

\* DT-2 Drain-O-Tank Air Charger comes with ATFL model

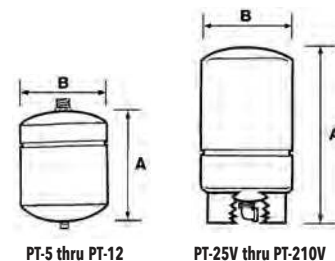
Dimensions are approximate and subject to change. Consult factory for certified dimensions. Part numbers in table above are for paint steel tanks.

# TANKS PT Diaphragm Tanks

## Expansion Tanks for Potable Water Systems

### Description

Bell & Gossett PT expansion tanks are designed to absorb the force of thermal expansion in domestic potable water systems. Tanks for potable water systems, Series PT and PTA (ASME construction) are available in sizes from 2–528 gallons.



### Residential/Light Commercial Non-ASME Diaphragm Tanks

#### Operating Data

Maximum Working Pressure:  
 PT-5 & PT-12: 150 PSI (1035 kPa)  
 PT-25V thru PT-210V: 100 PSI (689 kPa)  
 Maximum Operating Temperature: 200°F (93°C)

#### Materials of Construction

Shell: Carbon Steel  
 Liner: Polypropylene  
 Diaphragm: Heavy Duty Butyl Rubber  
 System Connection: PT-25V thru PT-210V are stainless steel. All others are brass  
 Factory Pre-charge: 40 PSI (276 kPa)

### Specifications

Model Number	Part Number	Volume Gallons (Liters)		Height (A) Inches (mm)	Diameter (B) Inches (mm)	System Connection	Approx. Shpg. Wt. lbs. (Kg)
		Tank	Acceptance				
PT-5	1BN317LF	2 (8)	1.0 (4)	12-5/8 (321)	8 (203)	3/4" NPTM	5 (2.3)
PT-12	1BN318LF	4.4 (17)	3.2 (12)	15 (381)	11 (279)	3/4" NPTF	9 (4.1)
PT-25V	1BN319LF	10.3 (39)	10.3 (39)	19-1/4 (489)	15-3/8 (391)	1" NPTF	23 (10.4)
PT-30V	1BN320LF	14 (53)	11.3 (43)	23-7/8 (605)	15-3/8 (391)		25 (11.3)
PT-42V	1BN321LF	20 (76)	11.3 (43)	31-5/8 (802)	15-3/8 (391)		33 (15)
PT-60V	1BN322LF	34 (129)	34 (129)	29-5/8 (752)	22 (559)		69 (31.2)
PT-80V	1BN323LF	44 (167)	34 (129)	36 (914)	22 (559)	1-1/4" NPTF	69 (31.2)
PT-180V	1BN324LF	62 (235)	34 (129)	46-3/4 (1187)	22 (559)		92 (41.7)
PT-210V	1BN325LF	86 (326)	46.4 (176)	47-1/4 (1200)	26 (660)		123 (55.8)

Larger sizes and ASME constructed models are available.

Code approvals: PT-5, PT-12



PT-25V thru PT-210



### Commercial Non-ASME Bladder Tanks

Maximum Working Pressure: 150 PSI (1035 kPa)  
 Maximum Operating Temperature: 240°F (116°C)

#### Materials of Construction

Shell: Carbon Steel  
 Liner: Polypropylene  
 Diaphragm: Heavy Duty Butyl Rubber  
 System Connection: Bronze  
 Factory Pre-charge: 55 PSI (379 kPa)

# TANKS Series WT Hydro-Pneumatic for Potable Well Water Systems

### Description

The Series WT tank will help protect the pump and pressure switches against short cycling. The domestic well tank delivers adequate water under pressure between pump cycles to meet the required demand.

### Specifications

Model Number	Part Number	Volume (Gallons)		Dimensions (Inches)					System Connection	Shipping Weight LBS (Kg)
		Tank	Acceptance	A	B	C	D	E		
WT-401	1BN101LF	18	11	31-1/4	16-1/4	1-1/2	N/A	N/A	1" NPTF	95 (43)
WT-402	1BN102LF	25	11	39-3/4	16-1/4	1-1/2	N/A	N/A	1" NPTF	112 (51)
WT-403	1BN103LF	34	11	49-1/4	16-1/4	1-1/2	N/A	N/A	1" NPTF	123 (56)
WT-404	1BN104LF	68	34	47-1/4	24	1-5/8	N/A	N/A	1-1/4" NPTF	210 (95)
WT-405	1BN105LF	90	35	59-1/2	24	1-5/8	N/A	N/A	1-1/4" NPTF	280 (127)
WT-421	1BN106LF	158	103	74-5/8	30	3-1/4	4-1/4	24	2" NPTF	308 (140)
WT-422	1BN107LF	211	137	92-5/8	30	3-1/4	4-1/4	24	2" NPTF	431 (195)
WT-423	1BN108LF	264	172	82-1/8	36	4-1/2	5-1/16	30	3" NPTF	503 (229)
WT-424	1BN109LF	317	206	94-2/2	36	4-1/2	5-1/16	30	3" NPTF	567 (258)
WT-426	1BN110LF	422	274	81-5/8	48	7-3/8	6-1/8	42	3" NPTF	906 (412)
WT-427	1BN111LF	528	343	95-7/8	48	7-3/8	6-1/8	42	3" NPTF	1026 (466)
WT-447	1BN112LF	53	36	45-1/4	24	2	3-3/4	19	2" NPTF	263 (120)
WT-448	1BN113LF	80	52	59-1/8	24	2	3-3/4	19	2" NPTF	308 (140)
WT-449	1BN114LF	106	69	73-1/8	24	2	3-3/4	19	2" NPTF	352 (160)
WT-450	1BN115LF	132	86	86-5/8	24	2	3-3/4	19	2" NPTF	392 (178)
WT-451	1BN116LF	158	103	73-1/4	30	3-1/2	5-1/2	24	2" NPTF	513 (233)
WT-452	1BN117LF	211	137	91	30	3-1/2	5-1/2	24	2" NPTF	760 (345)
WT-453	1BN118LF	264	172	86	36	4-1/2	7	30	3" NPTF	810 (367)
WT-454	1BN119LF	317	206	98	36	4-1/2	7	30	3" NPTF	914 (415)
WT-455	1BN120LF	370	240	110-3/8	36	4-1/2	7	30	3" NPTF	1018 (462)
WT-456	1BN121LF	422	274	81-7/8	48	7-1/2	7-1/8	42	3" NPTF	1655 (750)
WT-457	1BN122LF	528	343	97-1/4	48	7-1/2	7-1/8	42	3" NPTF	1925 (873)

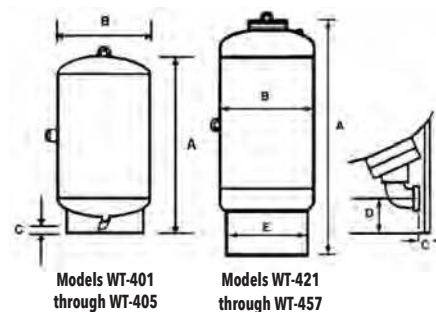
### Operating Data

Maximum Design Pressure:  
 WT-401–WT-405: 150 PSI (1035 kPa)  
 WT-421–WT-427: 100 PSI (689 kPa)  
 WT-447–WT-457: 150 PSI (1035 kPa)

Maximum Design Temperature:  
 WT-401–WT-405: 200°F (93°C)  
 WT-421–WT-457: 240°F (116°C)

#### Materials of Construction

Shell: Steel  
 System Connection: Malleable Iron  
 WT-401–WT-405: Butyl Diaphragm, Polypropylene Liner  
 WT-421–WT-457: Butyl Bladder  
 Factory Pre-charged:  
 WT-401–WT-405: 30 PSI (207 kPa)  
 WT-421–WT-457: 25 PSI (172 kPa)



# VALVES TPV - Tank Purge Valves

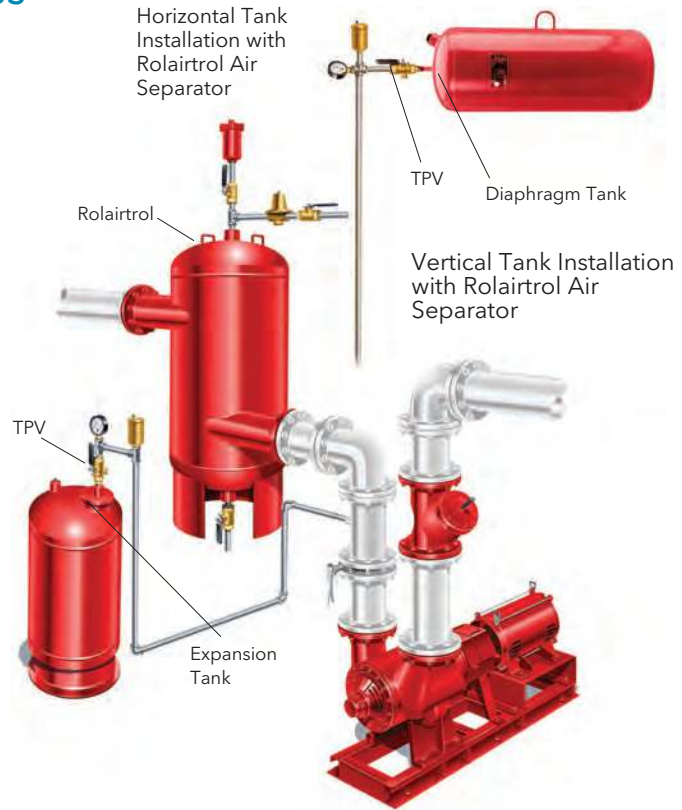
## Description

Combination full port shut-off valve and drain valve used to connect an expansion tank to the system. It is important that the pre-charge in an expansion tank be maintained at the proper pressure at all times. This pressure is the lowest system operating pressure. When the tank's pressure is adjusted, there should be no system liquid in it. This pre-charge should be checked and adjusted when:

- Tank is first installed
- If system is started or operating with the incorrect tank pre-charge
- Annually to assure proper pre-charge pressure at all times

The TPV (Tank Purge Valve) is ideal for this as the tank can be isolated from the system, drained and the pre-charge checked and adjusted without draining or shutting down the system.

The TPV also serves as a service valve should the tank need to be removed or have the bladder changed. These valves are furnished standard with a drain valve with a standard 5/8" hose connection.



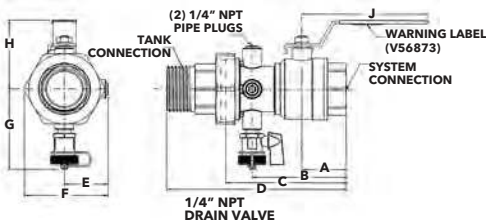
## Operating Data

Maximum Working Pressure:  
400 PSIG (2,758 kPa)

Maximum Operating Temperature:  
-4°F (-20°C) to 250°F (121°C)

## Materials of Construction

Valve Body: Brass  
Ball: Chrome Plated  
Ball Seal: PTFE  
Stem: Explosion Proof  
O-Ring: EPDM



These valves are not recommended to be used on potable water tanks.

## Specifications

Model Number	Part Number	System Connection	Tank Connection	Dimensions* Inch (mm)									Approx. Weight Lbs.
				A	B	C	D	E	F	G	H	J	
TPV-1/2SF	113226	1/2" Female SWT	1/2" Female NPT	1.67 (42.4)	2.25 (57.2)	3.15 (80.0)	3.82 (97.0)	0.84 (21.3)	1.60 (40.6)	2.36 (59.9)	1.75 (44.5)	3.34 (84.8)	1.0 (0.5)
TPV-1/2FF	113227	1/2" Female NPT	1/2" Female NPT	1.19 (30.2)	2.00 (50.8)	2.90 (73.7)	3.55 (90.4)	0.84 (21.3)	1.60 (40.6)	2.36 (59.9)	1.75 (44.5)	3.34 (84.8)	1.0 (0.5)
TPV-1/2SM	113228	1/2" Female SWT	1/2" Male NPT	1.29 (32.2)	2.25 (57.2)	3.15 (80.0)	4.73 (120.1)	0.84 (21.3)	1.60 (40.6)	2.36 (59.9)	1.75 (44.5)	3.34 (84.8)	1.0 (0.5)
TPV-1/2FM	113229	1/2" Female NPT	1/2" Male NPT	1.06 (26.9)	2.00 (50.6)	2.90 (73.7)	4.47 (113.6)	0.84 (21.3)	1.60 (40.6)	2.36 (59.9)	1.75 (44.5)	3.34 (84.8)	1.0 (0.5)
TPV-3/4SF	113230	3/4" Female SWT	3/4" Female NPT	1.67 (42.2)	2.85 (72.4)	3.72 (94.5)	4.53 (115.2)	1.06 (26.9)	1.95 (49.5)	2.66 (67.6)	1.89 (48.0)	3.50 (88.9)	1.24 (0.6)
TPV-3/4FF	113231	3/4" Female NPT	3/4" Female NPT	1.19 (30.2)	2.50 (63.5)	3.26 (82.8)	4.06 (103.1)	1.06 (26.9)	1.95 (49.5)	2.66 (67.6)	1.69 (48.0)	3.50 (88.9)	1.24 (0.6)
TPV-3/4SM	113232	3/4" Female SWT	3/4" Male NPT	1.67 (42.4)	2.85 (72.4)	3.72 (94.5)	5.50 (140.0)	1.06 (26.9)	1.95 (49.5)	2.66 (67.6)	1.69 (48.0)	3.50 (88.9)	1.25 (0.6)
TPV-3/4FM	113233	3/4" Female NPT	3/4" Male NPT	1.19 (30.2)	2.50 (63.5)	3.26 (82.8)	5.03 (127.6)	1.06 (26.9)	1.95 (49.5)	2.66 (67.6)	1.69 (48.0)	3.50 (88.9)	1.25 (0.6)
TPV-1SF	113234	1" Female SWT	1" Female NPT	1.95 (49.5)	3.18 (80.6)	4.14 (105.2)	5.05 (126.3)	1.23 (31.2)	2.06 (52.3)	2.71 (68.6)	2.00 (50.8)	4.00 (101.6)	1.71 (0.8)
TPV-1FF	113235	1" Female NPT	1" Female NPT	1.46 (36.8)	2.63 (66.5)	3.60 (91.4)	4.50 (114.3)	1.23 (31.2)	2.06 (52.3)	2.71 (68.6)	2.00 (50.8)	4.00 (101.6)	1.71 (0.8)
TPV-1SM	113236	1" Female SWT	1" Male NPT	1.95 (49.5)	3.18 (80.6)	4.14 (105.2)	6.16 (156.5)	1.23 (31.2)	2.06 (52.3)	2.71 (68.6)	2.00 (50.8)	4.00 (101.6)	1.75 (0.8)
TPV-1FM	113237	1" Female NPT	1" Male NPT	1.45 (36.8)	2.53 (60.8)	3.60 (91.4)	5.60 (142.2)	1.23 (31.2)	2.06 (52.3)	2.71 (68.6)	2.00 (50.8)	4.00 (101.6)	1.75 (0.8)
TPV-1 1/4SF	113238	1 1/4" Female SWT	1 1/4" Female NPT	2.13 (54.1)	3.94 (100.1)	5.14 (130.6)	6.10 (154.9)	1.34 (34.0)	2.71 (68.8)	2.96 (75.2)	2.45 (62.2)	4.50 (114.3)	3.15 (1.5)
TPV-1 1/4FF	113239	1 1/4" Female NPT	1 1/4" Female NPT	1.55 (39.4)	3.37 (85.6)	4.56 (115.6)	5.50 (139.7)	1.34 (34.0)	2.71 (68.8)	2.96 (75.2)	2.45 (62.2)	4.50 (114.3)	3.15 (1.5)
TPV-1 1/4SM	113240	1 1/4" Female SWT	1 1/4" Male NPT	2.13 (54.1)	3.94 (100.1)	5.14 (130.6)	7.11 (180.6)	1.34 (34.0)	2.71 (68.8)	2.96 (75.2)	2.45 (62.2)	4.50 (114.3)	3.19 (1.5)
TPV-1 1/4FM	113241	1 1/4" Female NPT	1 1/4" Male NPT	1.55 (39.4)	3.37 (85.6)	4.56 (115.6)	6.52 (165.6)	1.34 (34.0)	2.71 (68.8)	2.96 (75.2)	2.45 (62.2)	4.50 (114.3)	3.19 (1.5)
TPV-1 1/2SM	113242	1 1/2" Female SWT	1 1/2" Male NPT	2.54 (64.5)	4.66 (118.4)	5.90 (149.9)	8.32 (211.3)	1.85 (47.0)	3.25 (82.6)	3.38 (85.9)	3.00 (76.2)	5.30 (134.5)	5.50 (2.5)
TPV-1 1/2FM	113243	1 1/2" Female NPT	1 1/2" Male NPT	1.91 (48.5)	3.97 (100.8)	5.12 (130.1)	7.64 (194.1)	1.85 (47.0)	3.25 (82.6)	3.38 (85.9)	3.00 (76.2)	5.30 (134.5)	5.50 (2.5)
TPV-2SM	113244	2" Female SWT	2" Male NPT	2.89 (72.4)	4.57 (116.1)	6.80 (172.7)	9.80 (248.9)	2.00 (50.8)	4.00 (101.6)	3.52 (89.4)	3.33 (84.6)	6.12 (155.5)	8.00 (3.63)
TPV-2FM	113245	2" Female NPT	2" Male NPT	2.06 (52.3)	4.65 (118.1)	5.85 (148.6)	8.87 (225.3)	2.00 (50.8)	4.00 (101.6)	3.52 (89.4)	3.33 (84.6)	6.12 (155.5)	8.00 (3.63)

\*All dimensions +/- 0.125 (3.2 mm) tolerance. Dimensions are subject to change. Not to be used for construction purposes unless certified.

# HEAT EXCHANGERS Brazed Plate Heat Exchangers

## Description

Model BPX brazed plate heat exchangers offer the highest level of thermal efficiency and durability in a compact, low cost unit. The corrugated plate design provides very high heat transfer coefficients, resulting in a more compact design. The unit's stainless steel plates are vacuum brazed together to form a durable, integral piece that can withstand high pressure and temperature.

The BPX heat exchangers offer a compact design compared to shell and tube exchangers

- 1/6 the size of shell and tube
- 1/5 the weight of shell and tube
- 1/8 the liquid required of shell and tube
- 1/3 to 1/5 of the surface area required

BPX units are ideal for a wide variety of hydronic applications such as:

- Radiant Floor Heating
- Domestic Water Heating
- Snow MELT Systems
- Swimming Pool Heating

## Operating Data

Design Pressure: 435 PSI (30 bar)  
Design Temperature: 450°F (232°C)  
Plates: Stainless Steel  
Brazing Material: Copper  
Connections: From 1/2 inch to 4 inch  
Capacity: Up to 800 GPM  
Construction Codes : UL, CRN, ASME Code Stamp Option

**Also available in double-wall design.**

Designed for dependability – Small size. Big impact.



**Mechanical Design:**  
Design pressures up to 435 PSIG.  
Maximum design temperature up to 450°F. Minimum design temperature to -310°F.

**Construction Codes:**  
Available codes include UL, CRN, and ASME code stamp.

**Materials:**  
Stainless steel 316L plates.  
Copper brazed material.



**Connections:**  
From 1/2-inch to 4-inch. Standard connection options include NPT, SAE flanged and sweat. Custom connections available.

**Capacity:**  
Up to 800 GPM and 350 sq.ft. of surface area.

**Mounting:**  
Reduce mounting costs with optional threaded studs or integral mounting bracket.





# HEAT EXCHANGERS Brazed Plate Heat Exchangers

## Quick Selection Tables

Domestic Water Heating							
Boiler Side: Water 180° F supply, 130° F return Domestic Water Side: Water 50° F supply, 140° F return							
Model	Heat Exchanged BTU/Hr	Boiler Side		Domestic Water Side		B&G Pump Selection <sup>†</sup>	Pipe Size <sup>††</sup>
		Flow GPM	Pressure Drop PSI	Flow GPM	Pressure Drop PSI		
BP400-10 (3/4" MPT)	60,000	2.5	1.6	1.3	0.3	NBF-9U	3/8"
BP400-20 (3/4" MPT)	150,000	6.2	2.1	3.3	0.6	NBF-9U	3/4"
BP400-30 (3/4" MPT)	225,000	9.3	2.2	5.0	0.7	NBF-9U	1"
BP400-40 (3/4" MPT)	350,000	14.4	3.4	7.8	1.0	NBF-12	1 1/4"
BP410-30 (1" MPT)	450,000	18.6	6.2	10.0	1.8	NBF-25	1 1/4"
BP410-40 (1" MPT)	600,000	24.8	6.2	13.3	2.0	NBF-25	1 1/2"
BP410-50 (1" MPT)	800,000	33.0	6.9	17.8	2.4	NBF-25	1 1/2"
BP410-60 (1" MPT)	900,000	37.1	6.9	20.0	2.2	NBF-25	2"
BP410-80 (1" MPT)	1,100,000	45.4	6.8	24.4	2.2	NBF-36	2"
BP423-30 (2" MPT)	1,500,000	61.9	4.6	33.3	1.4	NBF-45	2"
BP423-40 (2" MPT)	2,000,000	82.5	4.6	44.4	1.4	PL-45B	2 1/2"
BP423-50 (2" MPT)	2,500,000	103.1	4.8	55.5	1.5	PL-75B	2 1/2"

Larger models are available upon request. † Assumptions: 200 ft. TEL of copper pipe with (6) 90 degree elbows. †† Pipe size shown is not the connection size of the heat exchanger.

Domestic Water Heating - Double Wall							
Boiler Side: Water 180° F supply, 130° F return Domestic Water Side: Water 50° F supply, 140° F return							
Model	Heat Exchanged BTU/Hr	Boiler Side		Domestic Water Side		B&G Pump Selection <sup>†</sup>	Pipe Size <sup>††</sup>
		Flow GPM	Pressure Drop PSI	Flow GPM	Pressure Drop PSI		
BPDW410-20 (1" MPT)	60,000	2.5	0.2	1.3	0.1	NBF-9U	5/8"
BPDW410-34 (1" MPT)	150,000	6.2	0.4	3.3	0.1	NBF-9U	3/4"
BPDW415-24 (1" MPT)	225,000	9.3	3.8	5.0	0.9	NBF-9U	1"
BPDW415-34 (1" MPT)	350,000	14.4	4.5	7.8	1.1	NBF-12	1-1/4"
BPDW415-40 (1" MPT)	450,000	18.6	5.4	10.0	1.4	NBF-25	1-1/4"
BPDW422-20 (2" MPT)	600,000	24.8	5.5	13.3	1.3	NBF-25	1-1/2"
BPDW422-30 (2" MPT)	800,000	33.0	4.1	17.8	1.1	NBF-25	1-1/2"
BPDW422-34 (2" MPT)	900,000	37.1	4.0	20.0	1.1	NBF-25	2"
BPDW422-40 (2" MPT)	1,100,000	45.4	4.2	24.4	1.2	NBF-36	2"
BPDW422-50 (2" MPT)	1,500,000	61.9	5.0	33.3	1.4	NBF-45	2"
BPDW422-70 (2" MPT)	2,000,000	82.5	4.7	44.4	1.4	PL-45B	2-1/2"

† Assumptions: 20 ft. of copper pipe with (6) 90 degree elbows. †† Pipe size shown isn't the connection size of the heat exchanger.

Snow Melt Applications							
Boiler Side: Water 180° F supply, 160° F return Snow Side: Water 40% P.G. 100° F supply, 130° F return							
Model	Heat Exchanged BTU/Hr	Boiler Side		Snow Melt Side		B&G Pump Selection <sup>†</sup>	Pipe Size <sup>††</sup>
		Flow	Pressure Drop	Flow	Pressure Drop		
		GPM	PSI	GPM	PSI		
BP400-10 (3/4" MPT)	30,000	3.1	2.4	2.1	0.9	NRF-25	3/4"
BP400-10 (3/4" MPT)	45,000	4.6	5.1	3.2	2.1	NRF-35	3/4"
BP400-14 (3/4" MPT)	60,000	6.2	4.2	4.3	1.9	NRF-25	1"
BP400-20 (3/4" MPT)	100,000	10.3	5.4	7.1	2.7	NRF-36	1"
BP400-40 (3/4" MPT)	175,000	18.0	5.2	12.5	2.8	NRF-36	1 1/2"
BP412-30 (1" MPT)	250,000	25.8	4.1	17.9	2.1	PL-36	1 1/2"
BP412-30 (1" MPT)	300,000	30.9	5.8	21.4	2.9	PL-55	2"
BP412-50 (1" MPT)	450,000	46.4	6.2	32.1	3.3	613	2"
BP424-20 (2" MPT)	600,000	61.8	4.8	42.9	2.8	609	2"
BP424-30 (2" MPT)	900,000	92.7	4.8	64.3	3.0	614	2 1/2"
BP424-40 (2" MPT)	1,200,000	123.6	5.1	85.7	3.2	625	3"
BP424-50 (2" MPT)	1,350,000	139.1	4.7	96.4	2.9	625	3"

Larger models are available upon request. † Assumptions: Longest radiant loop is 250 ft. PEX. †† Pipe size shown isn't the connection size of the heat exchanger.

Outdoor Wood Boiler					
Boiler Side: Water 180° F supply, 155° F return House Side: Water 140° F supply, 165° F return					
Model	Heat Exchanged BTU/Hr	Boiler Side		House Side	
		Flow GPM	Pressure Drop PSI	Flow GPM	Pressure Drop PSI
BP400-20LP (3/4" MPT)	30,500	2.52	0.4	2.5	0.3
BP400-30LP (3/4" MPT)	50,000	4.12	0.5	4.1	0.4
BP400-40LP (3/4" MPT)	70,000	5.77	0.6	5.7	0.6
BP410-20LP (1" MPT)	80,000	6.60	1.9	6.5	1.6
BP410-30LP (1" MPT)	130,000	10.72	2.2	10.6	1.92
BP410-40LP (1" MPT)	179,500	14.80	2.3	14.6	2.2
BP410-50LP (1" MPT)	229,500	18.92	2.5	18.7	2.4
BP410-60LP (1" MPT)	279,000	23.00	2.8	22.8	2.6
BP410-70LP (1" MPT)	329,000	27.13	3.0	26.8	2.9
BP410-80LP (1" MPT)	378,500	31.21	3.3	30.9	3.2
BP410-90LP (1" MPT)	428,500	35.33	3.7	34.9	3.6
BP410-100LP (1" MPT)	478,000	39.41	4.0	39.0	4.0

Larger models are available upon request.

Swimming Pool Heating						
Boiler Side: Water 180° F supply, 130° F return Pool Side: Water 70° F supply, 107° F return						
Model <sup>3</sup>	Pool Size Gallons <sup>1</sup>	Heat Exchanged BTU/Hr	Boiler Side		Pool Side	
			Flow GPM	Pressure Drop PSI	Flow <sup>2</sup> GPM	Pressure Drop PSI
BP400-10 (3/4" MPT)	2,000	33,300	1.37	0.5	1.8	0.6
BP400-10 (3/4" MPT)	6,000	99,900	4.10	4.1	5.4	5.0
BP400-20 (3/4" MPT)	8,000	133,200	5.50	1.7	7.3	2.5
BP400-30 (3/4" MPT)	15,000	250,234	10.00	2.7	14.0	4.5
BP412-20 (1" MPT)	20,000	333,645	13.00	2.5	18.0	3.4
BP412-20 (1" MPT)	30,000	500,467	20.70	5.6	27.2	7.7
BP412-30 (1" MPT)	40,000	667,290	27.00	3.9	36.0	6.9
BP424-20 (2" MPT)	60,000	1,000,936	40.00	2.3	54.0	3.6
BP424-30 (2" MPT)	80,000	1,334,581	53.00	1.9	72.0	3.1
BP424-40 (2" MPT)	100,000	1,668,226	67.00	2.8	90.0	4.7
BP424-50 (2" MPT)	120,000	2,001,871	82.50	2.5	108.0	4.2
BP424-50 (2" MPT)	150,000	2,502,000	103.20	2.7	135.6	4.7

Larger models are available upon request. 1) Provides approx. 2° F per hour heating with 180° F boiler to achieve 80° F pool temperature. 2) Pool water flow rate usually requires flow by pass from main pool circulation. 3) Chlorinated pool water can be corrosive to SS316L and Copper. Proper control of chlorine levels is required or alternate materials of construction should be considered.

Radiant Floor Heating							
Boiler Side: Water 180° F supply, 160° F return Radiant Floor Side: Water 100° F supply, 120° F return							
Model	Heat Exchanged BTU/Hr	Boiler Side		Radiant Floor Side		B&G Pump Selection <sup>†</sup>	Pipe Size <sup>††</sup>
		Flow GPM	Pressure Drop PSI	Flow GPM	Pressure Drop PSI		
BP400-10 (3/4" MPT)	30,000	3.1	2.4	3.0	1.6	NRF-25	3/4"
BP400-10 (3/4" MPT)	50,000	5.2	6.1	5.0	4.2	NRF-36	1"
BP400-20 (3/4" MPT)	100,000	10.3	5.2	10.1	4.4	NRF-36	1 1/2"
BP400-30 (3/4" MPT)	150,000	15.5	5.3	15.2	4.9	NRF-36	1 1/2"
BP400-40 (3/4" MPT)	200,000	20.6	5.8	20.2	5.5	NRF-36	1 1/2"
BP411-20 (1" MPT)	250,000	25.8	3.3	25.2	3.0	PL-36	2"
BP411-20 (1" MPT)	350,000	36.1	6.3	35.3	5.6	PL-55	2"
BP411-30 (1" MPT)	450,000	46.4	6.1	45.4	5.8	607	2"
BP424-20 (2" MPT)	600,000	61.8	4.8	60.6	4.2	609	2 1/2"
BP424-30 (2" MPT)	900,000	92.7	4.8	90.9	4.5	611	3"
BP424-40 (2" MPT)	1,200,000	123.6	5.1	121.2	5.0	625	3"
BP424-50 (2" MPT)	1,350,000	139.1	4.7	136.3	4.6	619	3"

Larger models are available upon request. † Assumptions: Longest radiant loop is 200 ft. PEX. †† Pipe size shown isn't the connection size of the heat exchanger.

# WASTEWATER Submersible Sump Pumps

## Description

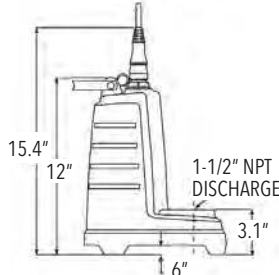
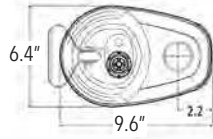
Sump pumps are specifically designed for basement draining, dewatering and water transfer. It has a range of capacities up to 70 GPM and maximum heads of 37 TDH ranging from 1/4 HP to 3/4 HP. The stainless steel or cast iron construction is available with 1-1/2" discharge connections. Battery back-up sump pumps also available for emergency back up service in the event of a power outage.

## SC

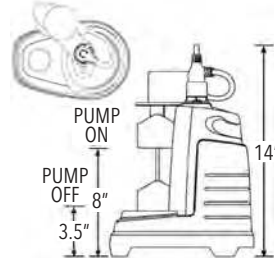
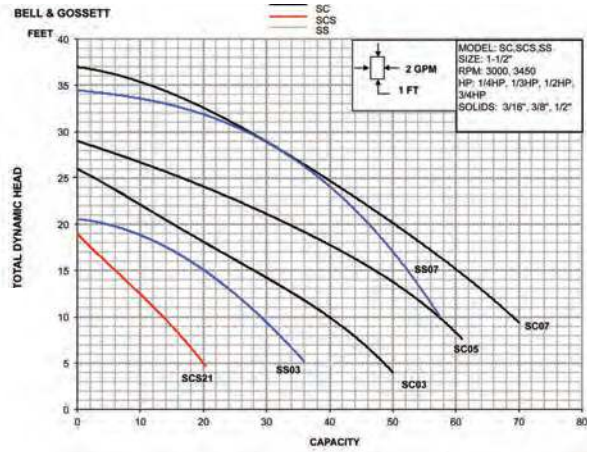
### Specifications

- Maximum solids 1/2"

Part Number
SC0311AV
SC0511AV
SC0711AV



SC05 and SC07



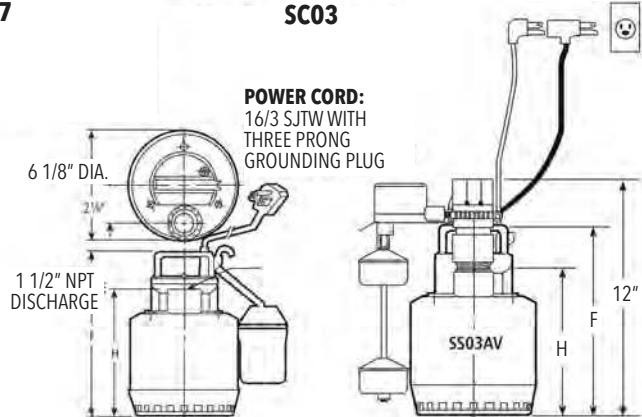
SC03

## SS

### Specifications

- Maximum solids: 3/8" spherical

Part Number	F	H
SS0311AT	9-3/4	7-5/8
SS0711ATF	11-1/4	9-1/8
SS0311AV	9-3/4	7-5/8



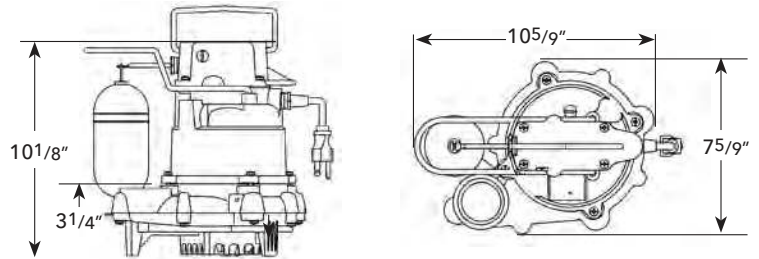
### Performance Chart

Submersible Sump Pumps	NPT Discharge	Solids Handling	Capacities	Maximum Head	Housing Material Construction
SC	1-1/2"	1/2"	70 GPM	37 feet TDH	Cast Iron
SS	1-1/2"	3/8"	55 GPM	34 feet TDH	Stainless Steel

## GSP0311

From Goulds Water Technology

Cast Iron Sump Pump



### Specifications

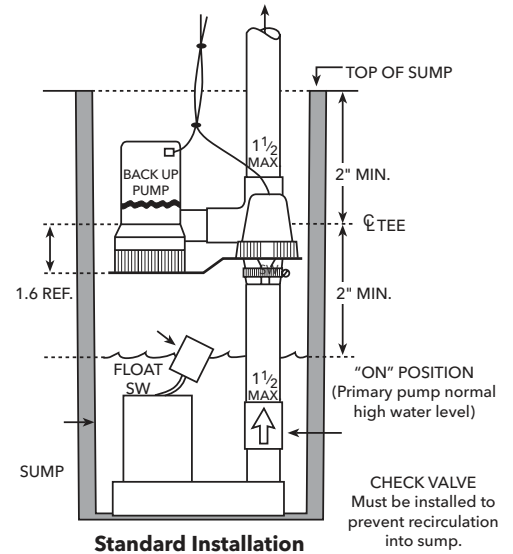
Model Number	Part Number	HP	Volts	Amps	Min. Circuit Breaker	Phase	Float Switch Style	Cord Length	Discharge Connection	Min. On Level	Min. Off Level	Min. Basin Diameter	Max. Solids Size	Shipping Weight
GSP	GSP0311	1/3	115	10	15A	1	Vertical	9'	1-1/2"	7-1/4"	3-1/2"	1'	1/2"	27 lbs
GSP	GSP0311M	1/3	115	10	15A	1	Not Supplied	9'	1-1/2"	-	-	1'	1/2"	27 lbs
GSP	GSP0311-25	1/3	115	10	15A	1	Vertical	25'	1-1/2"	7-1/4"	3-1/2"	1'	1/2"	29 lbs

# WASTEWATER Submersible Sump Pumps

## BBSP Battery Back-up Sump Pump

### BBSP Performance Chart

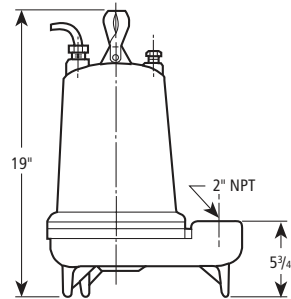
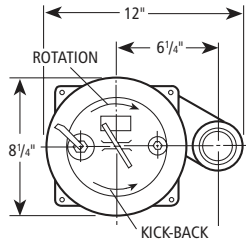
Discharge Heights	GPH	Battery Life
5'	1380	9 hours
10'	900	9 hours
13'	480	11 hours



### BBSP2 Performance Chart

Discharge Heights	GPH	Battery Life
5'	2250	7 hours
10'	1500	8 hours
13'	1000	9 hours

## 2WT Sewage Effluent Pump



### Specifications

Part Number	HP	Phase	Volts	RPM	Impeller Dia. (in.)	Max. Amps	LRA	KVA Code	Full Load Motor Eff.	Resistance		Wt. (lbs.)	
										Start	Line-Line		
2WT0311	0.33	1	115	1750	4.69	10.7	30.0	M	54	11.9	1.7	63	
2WT0318			208			6.8	19.5	K	51	9.1	4.2		
2WT0312			230			4.9	14.1	L	53	14.5	8.0		
2WT0511	0.5	1	115		5.00	14.5	31.1	J	55	9.3	1.4	65	
2WT0518			208			8.0	19.5	K	51	9.1	4.2		
2WT0512			230			7.3	16.5	J	54	11.7	5.6		
2WT0538	3	1	200			3.8	12.3	K	75	NA	6.7		85
2WT0532			230			3.3	9.7	K	75	NA	9.9		
2WT0534			460			1.7	4.9	K	75	NA	39.4		
2WT0537	575	1.4	4.3		K	68	NA	47.8					
2WT0718	0.75	1	208		5.38	11.0	39.0	K	65	2.6	1.4	85	
2WT0712			230			9.4	24.8	J	57	4.8	2.3		
2WT0738			200			4.1	21.2	H	74	NA	4.3		
2WT0732		3	230			3.6	17.3	J	76	NA	5.6		
2WT0734			460			1.8	8.9	J	76	NA	22.4		
2WT0737			575	1.5		7.3	J	71	NA	29.2			
2WT1018	1	1	208	5.75	14.0	39.0	K	65	2.6	1.4	85		
2WT1012			230		12.3	30.5	H	60	4.3	1.8			
2WT1038			200		6.0	21.2	H	74	NA	4.3			
2WT1032		3	230		5.8	17.3	J	76	NA	5.6			
2WT1034			460		2.9	8.9	J	76	NA	22.4			
2WT1037			575		2.4	7.3	J	71	NA	29.2			

# Service and support from the most trusted name in the industry – Bell & Gossett.

The Bell & Gossett name has always stood for uncompromising quality and dependability. That's evident in the way every one of our centrifugal pumps is built and backed by our outstanding customer service and support team.

Your local Bell & Gossett representative is available any time and is an experienced professional with a wealth of technical expertise. In addition to expert system and product application assistance and a wide product inventory warehoused locally, we offer ESP-Systemwise software selection program.



ESP-Systemwise is a Bell & Gossett web-based software that helps you design HVAC systems accurately, effectively and very quickly. You get fast, precise equipment selection, pump performance curves and equipment schedules, submittals, specifications replacement parts and more.

ESP-Systemwise includes:

- Centrifugal Pumps
- Air/Dirt Separators
- Drives and Controls
- Expansion Tanks
- Heat Exchangers
- PIC Valves
- Replacement Parts
- Suction Diffuser and Triple Duty Valve
- Wastewater/Stormwater

## The Little Red Schoolhouse® - Training the Industry



Bell & Gossett has long been known for its dedication to training. The "Little Red Schoolhouse®" has graduated over 60,000 students since it was founded in 1954.

Graduates from the "Little Red Schoolhouse" may be found throughout North America, Europe, Africa, Asia and Australia.

For applications to attend these seminars, please contact a Bell & Gossett Representative in your area. They will have the schedule dates for all seminars and will make all the arrangements for you. As a service and a continuing educational source to the HVAC industry, these seminars are offered free of charge. IACET certified CEU credits are awarded for each seminar.

Seminars currently offered are:

- Modern Hydronic System Design – Basic\*
- Modern Hydronic System Design – Advanced\*
- Design & Application of Water Based HVAC Systems
- Large Chilled Water System Design\*
- Pump Service & Maintenance School
- Steam Systems Design & Applications
- Steam System Operation & Maintenance
- Plumbing Systems Design

\* The USGBC has approved the technical and instructional quality of the Modern Hydronic Heating Systems - Basic Seminar (15 GBCI CE Hours) and the Large Chilled Water Design Seminar (11 GBCI CE Hours). These courses are approved for GBCI Continuing Education Hours towards LEED Credential Maintenance Programs.



We value your feedback. Please take our 3 question survey at [bellgossett.com/survey](http://bellgossett.com/survey) to let us know how we are doing.



Xylem Inc.  
8200 N. Austin Avenue  
Morton Grove, Illinois 60053  
Phone: (847) 966-3700  
Fax: (847) 965-8379  
[www.xylem.com/bellgossett](http://www.xylem.com/bellgossett)

Bell & Gossett is a trademark of Xylem Inc. or one of its subsidiaries.  
© 2019 Xylem Inc. A-50U May 2019